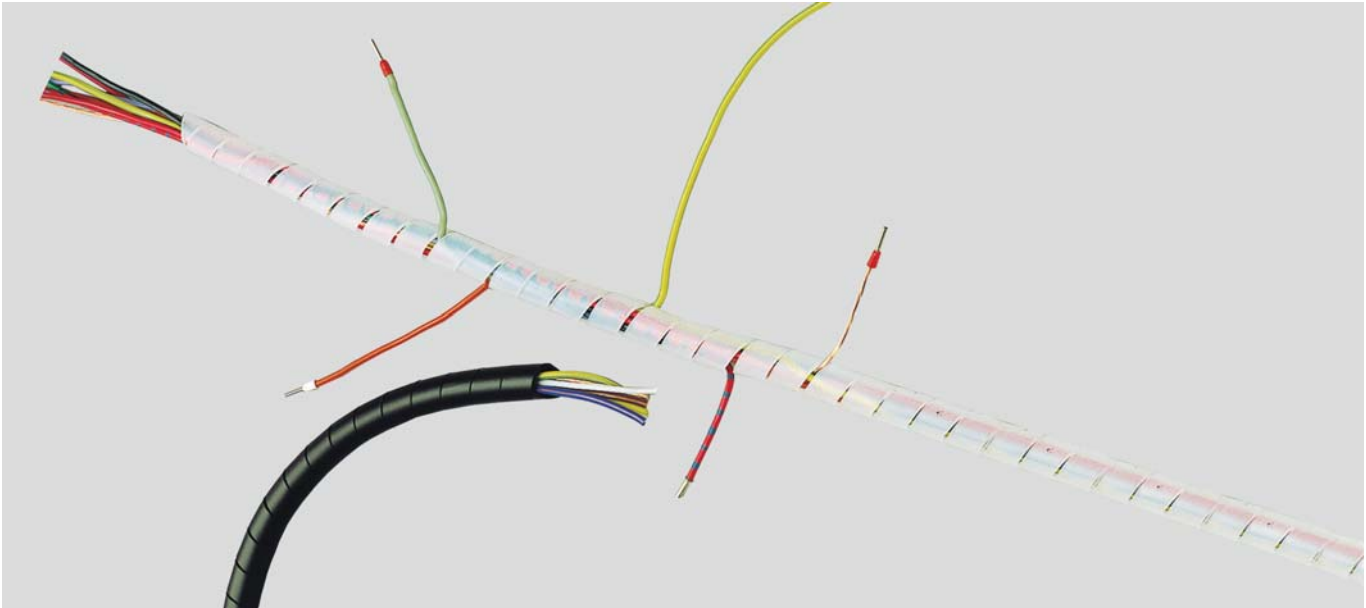


Технические характеристики

По вопросам продаж и поддержки обращайтесь:

Алматы (7273)495-231	Казань (843)206-01-48	Новокузнецк (3843)20-46-81	Смоленск (4812)29-41-54
Архангельск (8182)63-90-72	Калининград (4012)72-03-81	Новосибирск (383)227-86-73	Сочи (862)225-72-31
Астрахань (8512)99-46-04	Калуга (4842)92-23-67	Омск (3812)21-46-40	Ставрополь (8652)20-65-13
Барнаул (3852)73-04-60	Кемерово (3842)65-04-62	Орел (4862)44-53-42	Сургут (3462)77-98-35
Белгород (4722)40-23-64	Киров (8332)68-02-04	Оренбург (3532)37-68-04	Тверь (4822)63-31-35
Брянск (4832)59-03-52	Краснодар (861)203-40-90	Пенза (8412)22-31-16	Томск (3822)98-41-53
Владивосток (423)249-28-31	Красноярск (391)204-63-61	Пермь (342)205-81-47	Тула (4872)74-02-29
Волгоград (844)278-03-48	Курск (4712)77-13-04	Ростов-на-Дону (863)308-18-15	Тюмень (3452)66-21-18
Вологда (8172)26-41-59	Липецк (4742)52-20-81	Рязань (4912)46-61-64	Ульяновск (8422)24-23-59
Воронеж (473)204-51-73	Магнитогорск (3519)55-03-13	Самара (846)206-03-16	Уфа (347)229-48-12
Екатеринбург (343)384-55-89	Москва (495)268-04-70	Санкт-Петербург (812)309-46-40	Хабаровск (4212)92-98-04
Иваново (4932)77-34-06	Мурманск (8152)59-64-93	Саратов (845)249-38-78	Челябинск (351)202-03-61
Ижевск (3412)26-03-58	Набережные Челны (8552)20-53-41	Севастополь (8692)22-31-93	Череповец (8202)49-02-64
Иркутск (395)279-98-46	Нижний Новгород (831)429-08-12	Симферополь (3652)67-13-56	Ярославль (4852)69-52-93
Россия (495)268-04-70	Киргизия (996)312-96-26-47	Казахстан (7172)727-132	



KW plastic helix

Plastic helix made of polyethylene.
Protects wiring harnesses, wires and conductors.
Bundles and binds single wires and provides mechanical protection for loosely installed or moving cables and wires.

Application

- Plant and machine construction
- Robotics
- Automation technology
- Vehicle construction and shipbuilding
- Railway technology
- Installation technology
- Control cabinet construction

Material

Polyethylene

- halogen-free

Note

Other materials or colours on request.

Technical data

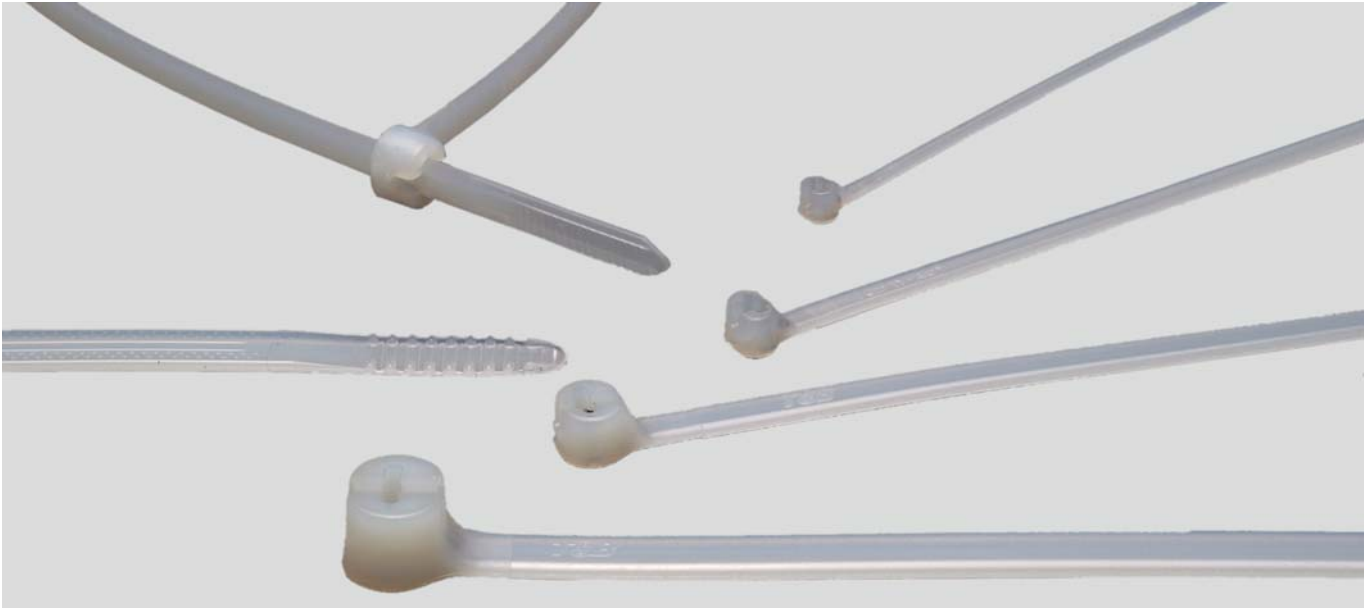
Temperature range: -30°C up to +80°C

Part no.	Size	Colour	Bundle Ø mm	Per metres	Net EUR/100 metres at a purchase of		
					up to 100	101 - 500	501 - 1000
91000	6	transparent	5,0 - 20,0	25	o. r.	o. r.	o. r.
91001	6	black	5,0 - 20,0	25	o. r.	o. r.	o. r.
96659	6	yellow	5,0 - 20,0	25	o. r.	o. r.	o. r.
96891	6	orange	5,0 - 20,0	25	o. r.	o. r.	o. r.
91002	12	transparent	12,0 - 40,0	25	o. r.	o. r.	o. r.
91003	12	black	12,0 - 40,0	25	o. r.	o. r.	o. r.
96658	12	yellow	10,0 - 40,0	25	o. r.	o. r.	o. r.
97042	12	orange	10,0 - 40,0	25	o. r.	o. r.	o. r.
96300	22	transparent	20,0 - 150,0	25	o. r.	o. r.	o. r.
96299	22	black	20,0 - 150,0	25	o. r.	o. r.	o. r.

Dimensions and specifications may be changed without prior notice.

o. r. = on request

TY-RAP® Cable tie with steel lug lock



TY-RAP® transparent

Cable tie with steel lug lock made of corrosion-resistant, non-magnetic steel. This technology enables the cable tie to offer excellent binding properties even under most rigorous conditions such as heat, cold, humidity etc. It is impervious to vibrations and external influences.

Material

Polyamide 6.6

- halogen-free

Note

Brown, red, orange, yellow, green, purple or grey available on request.

Technical data

Temperature range: -60°C up to +85°C

Flammability acc. to UL 94: V2

Part no. transparent	Type	Length mm	Width mm	Bundle Ø mm	Capacity N	Unit	Net EUR/100 items at a purchase of		
							up to 1000	1001 - 5000	5001 - 10000
91051	TYB 23M	92,0	2,4	16,0	80,0	1000	o. r.	o. r.	o. r.
91055	TY 232M	203,0	2,4	50,0	80,0	1000	o. r.	o. r.	o. r.
91058	TY 234M	356,0	2,4	102,0	80,0	1000	o. r.	o. r.	o. r.
91061	TYB 24M	140,0	3,6	29,0	180,0	1000	o. r.	o. r.	o. r.
91064	TY 242M	204,0	3,6	50,0	180,0	1000	o. r.	o. r.	o. r.
91067	TY 26M	284,0	3,6	76,0	130,0	1000	o. r.	o. r.	o. r.
91070	TY 244M	368,0	3,6	103,0	130,0	1000	o. r.	o. r.	o. r.
91073	TYB 25M	186,0	4,8	45,0	220,0	1000	o. r.	o. r.	o. r.
91076	TY 253M	295,0	4,8	78,0	220,0	1000	o. r.	o. r.	o. r.
91079	TY 28M	361,0	4,8	102,0	220,0	1000	o. r.	o. r.	o. r.
91082	TY 272M	223,0	6,9	50,0	540,0	500	o. r.	o. r.	o. r.
91085	TY 27M	340,0	6,9	90,0	540,0	500	o. r.	o. r.	o. r.
91088	TY 29M	771,0	6,9	229,0	540,0	500	o. r.	o. r.	o. r.

Small package

Part no. transparent	Type	Length mm	Width mm	Bundle Ø mm	Capacity N	Unit	Net EUR/100 items at a purchase of		
							up to 1000	1001 - 5000	5001 - 10000
91050	TY 5-23M	92,0	2,4	16,0	80,0	100	o. r.	o. r.	o. r.
91054	TY 5-232M	203,0	2,4	50,0	80,0	100	o. r.	o. r.	o. r.
91057	TY 5-234M	356,0	2,4	102,0	80,0	100	o. r.	o. r.	o. r.
91060	TY 5-24M	140,0	3,6	29,0	180,0	100	o. r.	o. r.	o. r.
91063	TY 5-242M	204,0	3,6	50,0	180,0	100	o. r.	o. r.	o. r.
91066	TY 5-26M	284,0	3,6	76,0	130,0	100	o. r.	o. r.	o. r.
91069	TY 5-244M	368,0	3,6	103,0	130,0	100	o. r.	o. r.	o. r.
91072	TY 5-25M	186,0	4,8	45,0	220,0	100	o. r.	o. r.	o. r.
91075	TY 5-253M	295,0	4,8	78,0	220,0	100	o. r.	o. r.	o. r.
91078	TY 5-28M	361,0	4,8	102,0	220,0	100	o. r.	o. r.	o. r.
91081	TY 5-272M	223,0	6,9	50,0	540,0	50	o. r.	o. r.	o. r.
91084	TY 5-27M	340,0	6,9	90,0	540,0	50	o. r.	o. r.	o. r.
91087	TY 5-29M	771,0	6,9	229,0	540,0	50	o. r.	o. r.	o. r.

Dimensions and specifications may be changed without prior notice.

o. r. = on request

TY-MX Cable tie with steel lug lock



TY-RAP® (UV-stabilised)

Cable tie with steel lug lock made of corrosion-resistant, non-magnetic steel. This technology enables the cable tie to offer excellent binding properties even under the most rigorous conditions such as heat, cold, humidity etc. It is impervious to vibrations and external influences.

Material

Polyamide 6.6
UV-resistant

- halogen-free
- silicone-free

Note

Other colours and materials available on request.

Technical data

Temperature range: -60°C up to +105°C

Flammability acc. to UL 94: V2

UV-stabilised

Part no.	Type	Length mm	Width mm	Bundle Ø mm	Capacity N	Unit	Net EUR/100 items at a purchase of		
							up to 1000	1001 - 5000	5001 - 10000
91052	TYB 23MX	92,0	2,4	16,0	80,0	1000	o. r.	o. r.	o. r.
91056	TY 232MX	203,0	2,4	50,0	80,0	1000	o. r.	o. r.	o. r.
91059	TY 234MX	356,0	2,4	102,0	80,0	1000	o. r.	o. r.	o. r.
91062	TYB 24MX	140,0	3,6	29,0	180,0	1000	o. r.	o. r.	o. r.
91065	TY 242MX	204,0	3,6	50,0	180,0	1000	o. r.	o. r.	o. r.
91068	TY 26MX	284,0	3,6	76,0	130,0	1000	o. r.	o. r.	o. r.
91071	TY 244MX	368,0	3,6	103,0	130,0	1000	o. r.	o. r.	o. r.
91074	TYB 25MX	186,0	4,8	45,0	220,0	1000	o. r.	o. r.	o. r.
91077	TY 253MX	295,0	4,8	78,0	220,0	1000	o. r.	o. r.	o. r.
91080	TY 28MX	361,0	4,8	102,0	220,0	1000	o. r.	o. r.	o. r.
91083	TY 272MX	223,0	6,9	50,0	540,0	500	o. r.	o. r.	o. r.
91086	TY 27MX	340,0	6,9	90,0	540,0	500	o. r.	o. r.	o. r.
91089	TY 29MX	771,0	6,9	229,0	540,0	500	o. r.	o. r.	o. r.

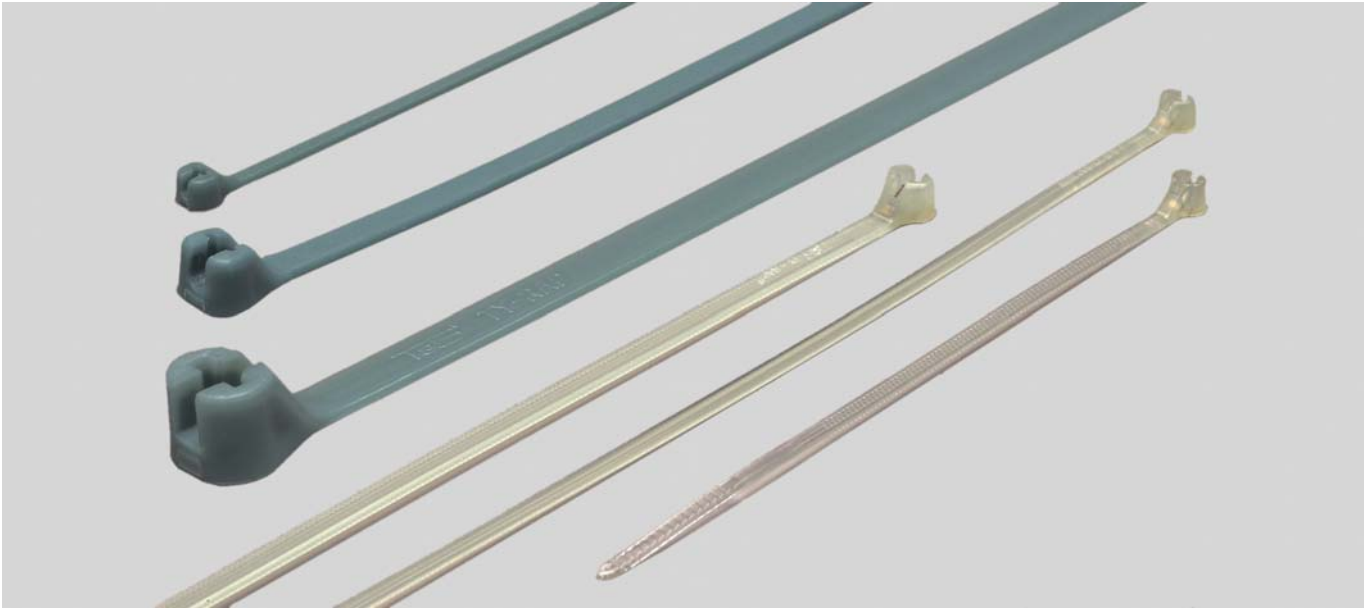
UV-stabilised - small package

Part no.	Type	Length mm	Width mm	Bundle Ø mm	Capacity N	Unit	Net EUR/100 items at a purchase of		
							up to 1000	1001 - 5000	5001 - 10000
97310	TY 5-23MX	92,0	2,4	16,0	80,0	100	o. r.	o. r.	o. r.
97311	TY 5-232MX	203,0	2,4	50,0	80,0	100	o. r.	o. r.	o. r.
97312	TY 5-234MX	356,0	2,4	102,0	80,0	100	o. r.	o. r.	o. r.
97313	TYB 5-24MX	140,0	3,6	29,0	180,0	100	o. r.	o. r.	o. r.
97314	TY 5-242MX	204,0	3,6	50,0	180,0	100	o. r.	o. r.	o. r.
97436	TY 5-26MX	284,0	3,6	76,0	130,0	100	o. r.	o. r.	o. r.
97437	TY 5-244MX	368,0	3,6	103,0	130,0	100	o. r.	o. r.	o. r.
93694	TY 5-25MX	186,0	4,8	45,0	220,0	100	o. r.	o. r.	o. r.
93695	TY 5-253MX	295,0	4,8	78,0	220,0	100	o. r.	o. r.	o. r.
93696	TY 5-28MX	361,0	4,8	102,0	220,0	100	o. r.	o. r.	o. r.
93697	TY 5-272MX	223,0	6,9	50,0	540,0	50	o. r.	o. r.	o. r.
93698	TY 5-27MX	340,0	6,9	90,0	540,0	50	o. r.	o. r.	o. r.
93699	TY 5-29MX	771,0	6,9	229,0	540,0	50	o. r.	o. r.	o. r.

Dimensions and specifications may be changed without prior notice.

o. r. = on request

TYH Cable tie with steel lug lock



TY-RAP®

Cable tie with steel lug lock made of corrosion-resistant, non-magnetic steel. This technology enables the cable tie to offer excellent binding properties even under most rigorous conditions such as heat, cold, humidity etc. It is impervious to vibrations and external influences.

Material

H = Polyamide 6.6 (heat-stabilised)

- halogen-free
- silicone-free

Technical data

Temperature range: -60°C up to +105°C

Flammability acc. to UL 94: V2

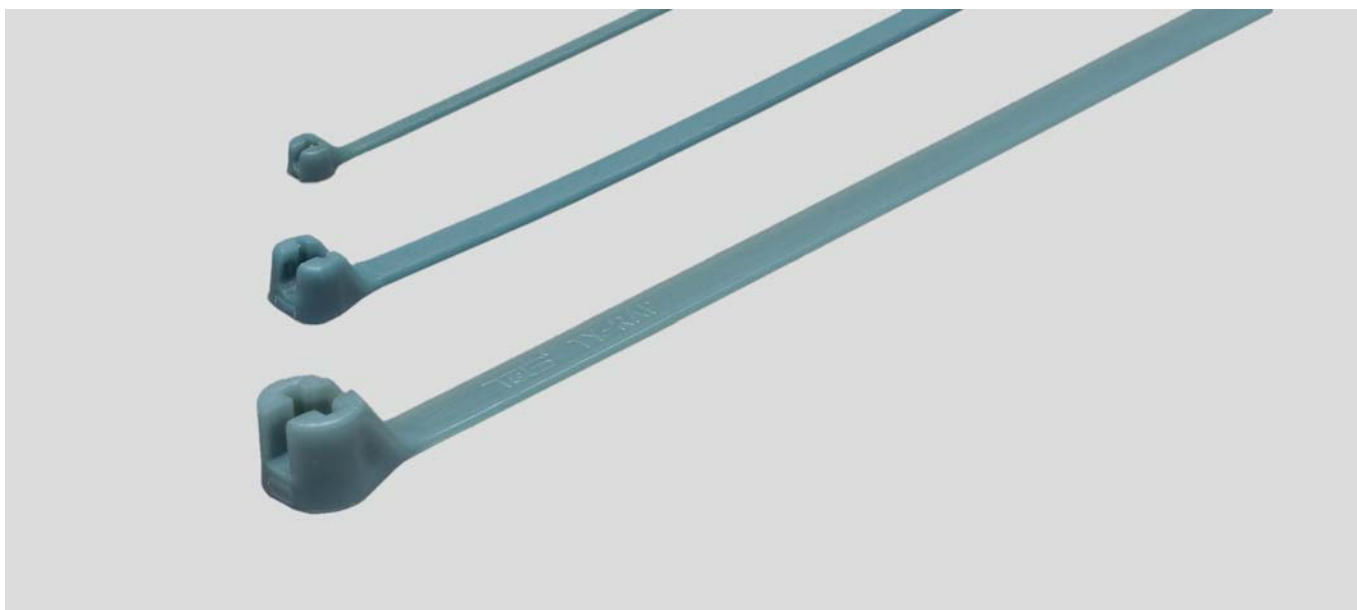
Heat stabilised

Part no.	Type	Colour	Length mm	Width mm	Bundle Ø mm	Capacity N	Unit	Net EUR/ 100 items at a purchase of		
								up to 1000	1001 - 5000	5001 - 10000
97280	TYH 23M	transparent	92,0	2,4	16,0	80,0	1000	o. r.	o. r.	o. r.
96481	TYH 232M	transparent	203,0	2,4	50,0	80,0	1000	o. r.	o. r.	o. r.
96577	TYH 24M	transparent	140,0	3,6	29,0	130,0	1000	o. r.	o. r.	o. r.
98520	TYH 242M	transparent	208,0	3,6	50,0	130,0	1000	o. r.	o. r.	o. r.
97249	TYH 26M	transparent	284,0	3,6	76,0	130,0	1000	o. r.	o. r.	o. r.
97213	TYH 25M	transparent	186,0	4,8	45,0	220,0	1000	o. r.	o. r.	o. r.
98521	TYH 253M	transparent	290,0	4,8	78,0	220,0	1000	o. r.	o. r.	o. r.
96291	TYH 28M	transparent	360,0	4,8	102,0	220,0	1000	o. r.	o. r.	o. r.
98522	TYH 272M	transparent	222,0	7,6	50,0	540,0	500	o. r.	o. r.	o. r.
97154	TYH 27M	transparent	340,0	7,0	90,0	540,0	500	o. r.	o. r.	o. r.
97250	TYH 29M	transparent	771,0	6,9	229,0	530,0	500	o. r.	o. r.	o. r.

Dimensions and specifications may be changed without prior notice.

o. r. = on request

TYZ Cable tie with steel lug lock



TY-RAP®

Cable tie with steel lug lock made of corrosion-resistant, non-magnetic steel. This technology enables the tie to offer excellent binding properties even under the most rigorous conditions such as heat, cold, humidity etc. It is impervious to vibrations and external influences.

Material

ETFE Fluoropolymer
UV-resistant

- halogen-free
- silicone-free

Technical data

Temperature range: -60°C up to +170°C

Flammability acc. to UL 94: V0

Application

- Plant and machine construction
- Robotics
- Automation technology
- Vehicle construction and shipbuilding
- Railway technology
- Installation technology
- Control cabinet construction

High resistant

Part no.	Type	Colour	Length mm	Width mm	Bundle Ø mm	Capacity N	Unit	Net EUR/100 items at a purchase of		
								up to 1000	1001 - 5000	5001 - 10000
96909	TYZ 23M	aquamarine	92,0	2,4	16,0	80,0	1000	o. r.	o. r.	o. r.
96290	TYZ 25M	aquamarine	186,0	4,8	45,0	220,0	1000	o. r.	o. r.	o. r.
96724	TYZ 28M	aquamarine	360,0	4,8	102,0	220,0	500	o. r.	o. r.	o. r.
94800	TYZ 27M	aquamarine	340,0	7,0	90,0	540,0	100	o. r.	o. r.	o. r.

Dimensions and specifications may be changed without prior notice.

o. r. = on request

TY-RAP® Detectable cable ties



TY-RAP® Detectable cable ties

- Detectable by metal detectors set at minimum 1.5mm diameter ferrous sphere
- Detectable by X-Ray equipment
- Bright blue colour for an easy visual detection
- Help achieve the HACCP EU-Directive, compliant to the FDA regulation
- For liquid-processing applications

Material

- halogen-free

Note

- Available versions:
- PA 6.6
 - Polypropylene

Technical data

Temperature range: -40°C up to +85°C

Flammability acc. to UL 94: V2

PA 6.6

Part no. blue	Type	Length mm	Width mm	Bundle Ø mm	Capacity N	Unit	Net EUR/100 items at a purchase of		
							up to 1000	1001 - 5000	5001 - 10000
908524	TY523M-NDT	92,0	2,4	16,0	80,0	100	o. r.	o. r.	o. r.
908525	TY524M-NDT	140,0	3,6	29,0	180,0	100	o. r.	o. r.	o. r.
908526	TY525M-NDT	186,0	4,8	45,0	220,0	100	o. r.	o. r.	o. r.
908527	TY528M-NDT	360,0	4,8	102,0	220,0	100	o. r.	o. r.	o. r.
908528	TY527M-NDT	340,0	7,0	90,0	540,0	50	o. r.	o. r.	o. r.

Polypropylene

Part no. blue	Type	Length mm	Width mm	Bundle Ø mm	Capacity N	Unit	Net EUR/100 items at a purchase of		
							up to 1000	1001 - 5000	5001 - 10000
908529	TY523M-PDT	92,0	2,4	16,0	80,0	100	o. r.	o. r.	o. r.
908530	TY525M-PDT	186,0	4,8	45,0	130,0	100	o. r.	o. r.	o. r.
908531	TY528M-PDT	360,0	4,8	102,0	130,0	100	o. r.	o. r.	o. r.
908532	TY527M-PDT	340,0	7,0	90,0	270,0	50	o. r.	o. r.	o. r.

Dimensions and specifications may be changed without prior notice.

o. r. = on request

TY-RAP® special cable tie Cable tie with steel lug lock



TY-RAP® (special types)

Cable tie with steel lug lock made of corrosion-resistant, non-magnetic steel. This technology enables the cable tie to offer excellent binding properties even under most rigorous conditions such as heat, cold, humidity. It is impervious to vibrations and external influences.

Material

Polyamide 6.6

- halogen-free
- silicone-free

Technical data

Temperature range: -60°C up to +85°C

Flammability acc. to UL 94: V2

With assembly hole

Part no.	Type	Colour	Length mm	Width mm	Bundle Ø mm	Capacity N	Hole Ø mm	Field W x H	Unit	Net EUR/100 items at a purchase of		
										up to 1000	1001 - 5000	5001 - 10000
transparent												
91093	TY 33M	transparent	102,0	2,3	16,0	80	3	-	1000	o. r.	o. r.	o. r.
91094	TY 34M	transparent	151,0	3,5	29,0	180	4,4	-	1000	o. r.	o. r.	o. r.
91095	TY 635M	transparent	198,0	4,7	45,0	220	4	-	1000	o. r.	o. r.	o. r.
91096	TY 35M	transparent	199,0	4,7	45,0	220	5.1	-	1000	o. r.	o. r.	o. r.
91098	TY 37M	transparent	356,0	7,7	90,0	540	6.7	-	500	o. r.	o. r.	o. r.

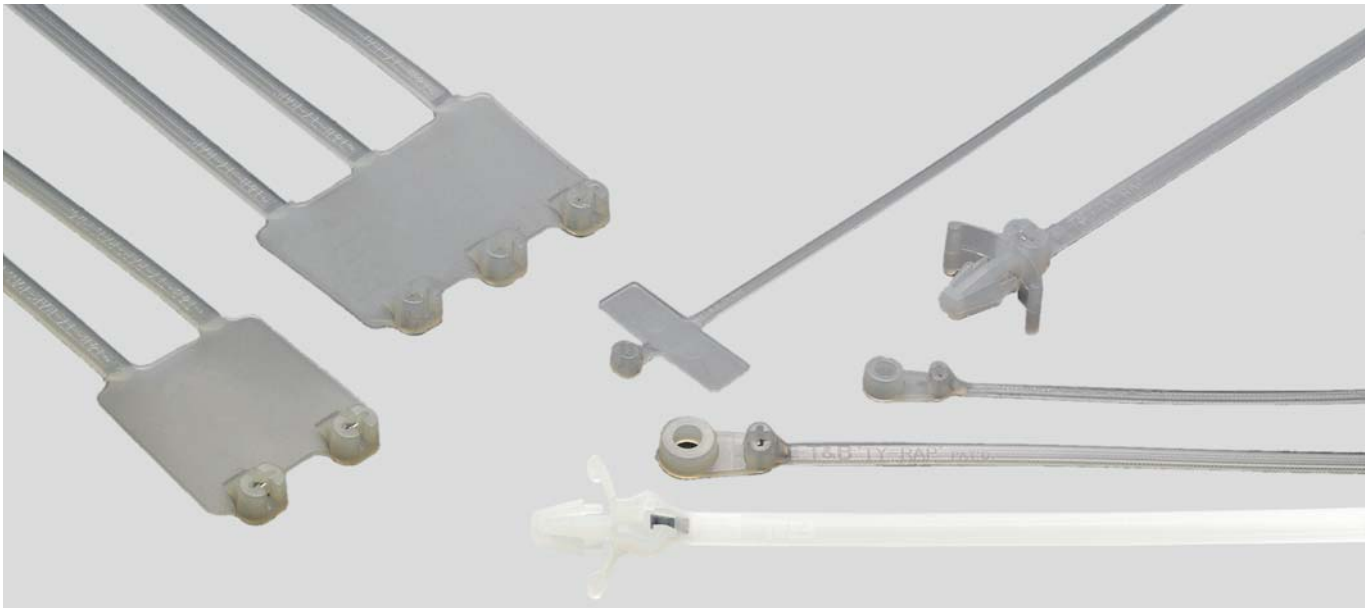
With plug-in clip

Part no.	Type	Colour	Length mm	Width mm	Bundle Ø mm	Capacity N	Hole Ø mm	Field W x H	Unit	Net EUR/100 items at a purchase of		
										up to 1000	1001 - 5000	5001 - 10000
transparent												
91103	TY 38M	transparent	200,0	4,7	44,0	220	-	-	1000	o. r.	o. r.	o. r.

Dimensions and specifications may be changed without prior notice.

o. r. = on request

TY-RAP® with label Cable tie with steel lug lock



TY-RAP®

Cable tie with steel lug lock made of corrosion-resistant, non-magnetic steel. This technology enables the cable tie to offer excellent binding properties even under most rigorous conditions such as heat, cold, humidity. It is impervious to vibrations and external influences.

Material

Polyamide 6.6

- halogen-free
- silicone-free

Note

TY-RAP® (special types)

Technical data

Temperature range: -60°C up to +85°C

Flammability acc. to UL 94: V2

Marking area below the latch

Part no.	Type	Colour	Length mm	Width mm	Bundle Ø mm	Capacity N	Hole Ø mm	Field W x H	Unit	Net EUR/ 100 items at a purchase of		
										up to 1000	1001 - 5000	5001 - 10000
91108	TY 51M	transparent	92,0	2,4	16,0	80	-	25.4 x 7.9	500	o. r.	o. r.	o. r.
91109	TY 512M	transparent	210,0	2,4	51,0	80	-	25.4 x 7.9	1000	o. r.	o. r.	o. r.
91110	TY 48M	transparent	360,0	4,8	102,0	220	-	13.1 x 57.2	1000	o. r.	o. r.	o. r.
91111	TY 46M	transparent	184,0	4,8	45,0	220	-	13.1 x 27	1000	o. r.	o. r.	o. r.
91112	TY 46MD	transparent	184,0	4,8	45,0	2 x 220	-	29.7 x 27	500	o. r.	o. r.	o. r.
91113	TY 46MT	transparent	184,0	4,8	45,0	3 x 220	-	46 x 27	500	o. r.	o. r.	o. r.
91114	TY 46MF	transparent	184,0	4,8	45,0	4 x 220	-	63.1 x 27	250	o. r.	o. r.	o. r.

Marking area above the latch

Part no.	Type	Colour	Length mm	Width mm	Bundle Ø mm	Capacity N	Hole Ø mm	Field W x H	Unit	Net EUR/ 100 items at a purchase of		
										up to 1000	1001 - 5000	5001 - 10000
91106	TY 53M	transparent	102,0	2,4	16,0	80	-	20.6 x 9.3	500	o. r.	o. r.	o. r.
91107	TY 532M	transparent	212,0	2,4	51,0	80	-	20.6 x 9.3	1000	o. r.	o. r.	o. r.

Dimensions and specifications may be changed without prior notice.

o. r. = on request

T Cable tie



Cable tie

Cable ties with plastic lug for directionality and mounting cables and wires.

Application

- Plant and machine construction
- Robotics
- Automation technology
- Vehicle construction and shipbuilding
- Railway technology
- Installation technology
- Control cabinet construction

Material

Polyamide 6.6

- halogen-free
- silicone-free

Note

black: good UV-resistance

Technical data

Temperature range: -40°C up to +85°C

Flammability acc. to UL 94: V2

Part no. transparent	Part no. black	Type	Length mm	Width mm	Bundle Ø mm	Capacity N	Unit	Net EUR/100 items at a purchase of		
								up to 1000	1001 - 5000	5001 - 10000
90150	90140	T 2-20	100,0	2,5	24,0	110,0	100	o. r.	o. r.	o. r.
90151	90141	T 2-50	200,0	2,5	55,0	110,0	100	o. r.	o. r.	o. r.
90152	90142	T 3-35	140,0	3,5	36,0	200,0	100	o. r.	o. r.	o. r.
90153	90143	T 3-50	200,0	3,5	55,0	200,0	100	o. r.	o. r.	o. r.
90154	90144	T 3-75	280,0	3,5	80,0	200,0	100	o. r.	o. r.	o. r.
90157	90147	T 5-85	200,0	4,5	51,0	280,0	100	o. r.	o. r.	o. r.
90156	90146	T 5-75	280,0	4,5	76,0	280,0	100	o. r.	o. r.	o. r.
90158	90148	T 5-100	360,0	4,5	101,0	280,0	100	o. r.	o. r.	o. r.
90159	90149	T 8-100	360,0	7,5	101,0	650,0	100	o. r.	o. r.	o. r.
96491	96492	T 9-165	610,0	9,0	185,0	800,0	100	o. r.	o. r.	o. r.
97219	97223	T 9-230	762,0	9,0	236,0	800,0	100	o. r.	o. r.	o. r.

Dimensions and specifications may be changed without prior notice.

o. r. = on request

T-SK/SKU Cable tie with steel lug lock



T-SK

Cable tie with steel lug made of corrosion resistant, non-magnetic steel for bundling and mounting cables and lines etc.

Material

Polyamide 6.6

- halogen-free
- silicone-free
- self-extinguishing

Technical data

Temperature range: -40°C up to +85°C

Flammability acc. to UL 94: V2

Properties

- High requirements to flexibility and resistance, also at low temperatures and dry climate
- High tension due to extra wide steel lugs

T-SK

Part no. transparent	Type	Length mm	Width mm	Bundle Ø mm	Capacity N	Unit	Net EUR/100 items at a purchase of		
							up to 100	101 - 500	501 - 1000
907016	T-SK 2-24	100	2,5	24	180	1000	o. r.	o. r.	o. r.
907017	T-SK 2-55	200	2,5	55	180	1000	o. r.	o. r.	o. r.
907018	T-SK 3-36	140	3,5	36	280	1000	o. r.	o. r.	o. r.
907019	T-SK 3-55	200	3,5	55	280	1000	o. r.	o. r.	o. r.
907020	T-SK 3-80	280	3,5	80	280	1000	o. r.	o. r.	o. r.
907021	T-SK 4-51	186	4,5	51	400	1000	o. r.	o. r.	o. r.
907022	T-SK 4-76	290	4,5	76	400	1000	o. r.	o. r.	o. r.
907023	T-SK 4-101	360	4,5	101	400	1000	o. r.	o. r.	o. r.
907037	T-SK 7-95	340	7,0	95	700	500	o. r.	o. r.	o. r.

T-SKU UV-stabilized

Part no. black	Type	Length mm	Width mm	Bundle Ø mm	Capacity N	Unit	Net EUR/100 items at a purchase of		
							up to 100	101 - 500	501 - 1000
907024	T-SKU 2-24	100	2,5	24	180	1000	o. r.	o. r.	o. r.
907025	T-SKU 2-55	200	2,5	55	180	1000	o. r.	o. r.	o. r.
907026	T-SKU 3-36	140	3,5	36	280	1000	o. r.	o. r.	o. r.
907027	T-SKU 3-55	200	3,5	55	280	1000	o. r.	o. r.	o. r.
907028	T-SKU 3-80	280	3,5	80	280	1000	o. r.	o. r.	o. r.
907029	T-SKU 4-51	186	4,5	51	400	1000	o. r.	o. r.	o. r.
907030	T-SKU 4-76	290	4,5	76	400	1000	o. r.	o. r.	o. r.
907031	T-SKU 4-101	360	4,5	101	400	1000	o. r.	o. r.	o. r.
907038	T-SKU 7-95	340	7,0	95	700	500	o. r.	o. r.	o. r.

Dimensions and specifications may be changed without prior notice.

o. r. = on request

T-WS Cable tie

Weather-proof



Cable tie T-WS

Cable tie with plastic lug for bundling and mounting cables and wires.

Application

- Outdoor use

Material

Polyamide 6.6
UV-resistant

- halogen-free

Properties

- weather- stabilised

Technical data

Temperature range: -40°C up to +85°C
Temperature range temporary up to +105°C

Flammability acc. to UL 94: V2

Part no. black	Type	Length mm	Width mm	Bundle Ø mm	Capacity N	Unit	Net EUR/100 items at a purchase of		
							up to 1000	1001 - 5000	5001 - 10000
905525	T-WS 25/100 BK	100,0	2,5	22,0	80,0	100	o. r.	o. r.	o. r.
905527	T-WS 25/140 BK	145,0	2,5	35,0	80,0	100	o. r.	o. r.	o. r.
905526	T-WS 25/205 BK	205,0	2,5	55,0	80,0	100	o. r.	o. r.	o. r.
905528	T-WS 28/330 BK	330,0	2,8	95,0	110,0	100	o. r.	o. r.	o. r.
905529	T-WS 35/150 BK	150,0	3,5	35,0	135,0	100	o. r.	o. r.	o. r.
905530	T-WS 35/190 BK	190,0	3,5	50,0	135,0	100	o. r.	o. r.	o. r.
905531	T-WS 35/290 BK	285,0	3,5	80,0	135,0	100	o. r.	o. r.	o. r.
905532	T-WS 40/175 BK	175,0	4,0	40,0	180,0	100	o. r.	o. r.	o. r.
905535	T-WS 46/150 BK	150,0	4,6	35,0	225,0	100	o. r.	o. r.	o. r.
905533	T-WS 46/200 BK	210,0	4,7	55,0	355,0	100	o. r.	o. r.	o. r.
905536	T-WS 46/245 BK	245,0	4,6	65,0	225,0	100	o. r.	o. r.	o. r.
906682	T-WS 46/390 BK	390,0	4,7	110,0	355,0	100	o. r.	o. r.	o. r.
905537	T-WS 47/300 BK	300,0	4,7	85,0	355,0	100	o. r.	o. r.	o. r.
905542	T-WS 76/225 BK	225,0	7,6	55,0	535,0	100	o. r.	o. r.	o. r.
905539	T-WS 76/300 BK	300,0	7,6	80,0	535,0	100	o. r.	o. r.	o. r.
905543	T-WS 76/365 BK	365,0	7,6	100,0	670,0	100	o. r.	o. r.	o. r.
906683	T-WS 76/380 BK	387,0	7,6	100,0	535,0	100	o. r.	o. r.	o. r.
905541	T-WS 76/460 BK	460,0	7,6	130,0	535,0	100	o. r.	o. r.	o. r.
906684	T-WS 76/760 BK	760,0	7,6	225,0	535,0	100	o. r.	o. r.	o. r.
906685	T-WS 88/820 BK	820,0	8,8	245,0	780,0	100	o. r.	o. r.	o. r.
906686	T-WS 89/530 BK	525,0	8,9	150,0	780,0	100	o. r.	o. r.	o. r.
905546	T-WS 132/535 BK	535,0	13,2	150,0	1115,0	100	o. r.	o. r.	o. r.

Dimensions and specifications may be changed without prior notice.

o. r. = on request

W Cable tie

Unlockable



Cable tie

Detachable cable tie for temporary assembly. This cable tie can be opened by hand without using a tool.

Material

Polyamide 6.6

- halogen-free
- silicone-free

Technical data

Temperature range: -40°C up to +80°C

Flammability acc. to UL 94: V2

Part no. black	Length mm	Width mm	Bundle Ø mm	Capacity N	Unit	Net EUR/100 items at a purchase of		
						up to 1000	1001 - 5000	5001 - 10000
97633	120,0	7,6	26,0	220,0	100	o. r.	o. r.	o. r.
97634	200,0	7,6	50,0	220,0	100	o. r.	o. r.	o. r.
97635	300,0	7,6	80,0	220,0	100	o. r.	o. r.	o. r.
97636	370,0	7,6	102,0	220,0	100	o. r.	o. r.	o. r.

Dimensions and specifications may be changed without prior notice.

o. r. = on request

E Cable tie

Stainless steel



Cable tie

Cable tie made of stainless steel with ball lock for use in extreme conditions, such as high temperatures, aggressive environment, high tensile load.

Material

Stainless steel 1.4401 / AISI 316

Technical data

Temperature range: -80°C up to +538°C

Properties

Corrosion and radiation resistant, anti-magnetic, resistant to high temperatures and aggressive chemicals

Note

Approvals: GL, DNV, Lloyd's, UL

Part no.	Length mm	Width mm	Bundle Ø mm	Capacity N	Unit	Net EUR/100 items at a purchase of		
						up to 1000	1001 - 5000	5001 - 10000
90900	150,0	4,6	44,0	445,0	100	o. r.	o. r.	o. r.
90901	200,0	4,6	50,0	445,0	100	o. r.	o. r.	o. r.
90902	290,0	4,6	75,0	445,0	100	o. r.	o. r.	o. r.
90903	360,0	4,6	102,0	445,0	100	o. r.	o. r.	o. r.
90904	200,0	7,9	50,0	1112,0	100	o. r.	o. r.	o. r.
90905	290,0	7,9	75,0	1112,0	100	o. r.	o. r.	o. r.
90906	360,0	7,9	102,0	1112,0	100	o. r.	o. r.	o. r.
90907	520,0	7,9	152,0	1112,0	25	o. r.	o. r.	o. r.

Dimensions and specifications may be changed without prior notice.

o. r. = on request

KLL / KLÖ Hook and loop cable tie



Velcro tie

Particularly suited for sensitive cables and wires that are to be bundled or fastened without kinking or pinching. Velcro binders exert only low pressure on the wires and lie evenly and flush. Suitable for up to 10,000 actuations in reusable bundling applications.

Material

KLL - Polyamide sleeve / PE mushroom head tape / with punched hole

Note

KLL – pre-punched on rolls
KLÖ – Packed small in poly bags

Technical data

Temperature range: -40°C up to +85°C

KLL with punched hole

Part no.	Colour	Length mm	Width mm	Bundle Ø mm	Unit	Net EUR/100 items at a purchase of		
						up to 100	101 - 500	501 - 1000
93730	black	150,0	20,0	45,0	1000	o. r.	o. r.	o. r.
93731	black	200,0	20,0	60,0	750	o. r.	o. r.	o. r.
93732	black	330,0	20,0	100,0	450	o. r.	o. r.	o. r.

KLÖ with plastic eye

Part no.	Colour	Length mm	Width mm	Bundle Ø mm	Unit	Net EUR/100 items at a purchase of		
						up to 100	101 - 500	501 - 1000
93735	red-black	195,0	25,0	55,0	10	o. r.	o. r.	o. r.
93736	red-black	240,0	25,0	70,0	10	o. r.	o. r.	o. r.
93737	red-black	360,0	25,0	110,0	10	o. r.	o. r.	o. r.

Dimensions and specifications may be changed without prior notice.

o. r. = on request

BS Mounting base



BS

BS mounting base self-adhesive and screwable for installing cables, wires, tubes and pipes. Simple handling by the combination with cable ties.

Application

- Plant and machine construction
- Robotics
- Automation technology
- Vehicle construction and shipbuilding
- Railway technology
- Installation technology
- Control cabinet construction

Material

Polyamide 6.6

Colour: transparent

Note

Foamed self-adhesive foil adheres to smooth and grease-free surfaces and smooths out slightly uneven surfaces.

Technical data

Temperature range: -40°C up to +85°C

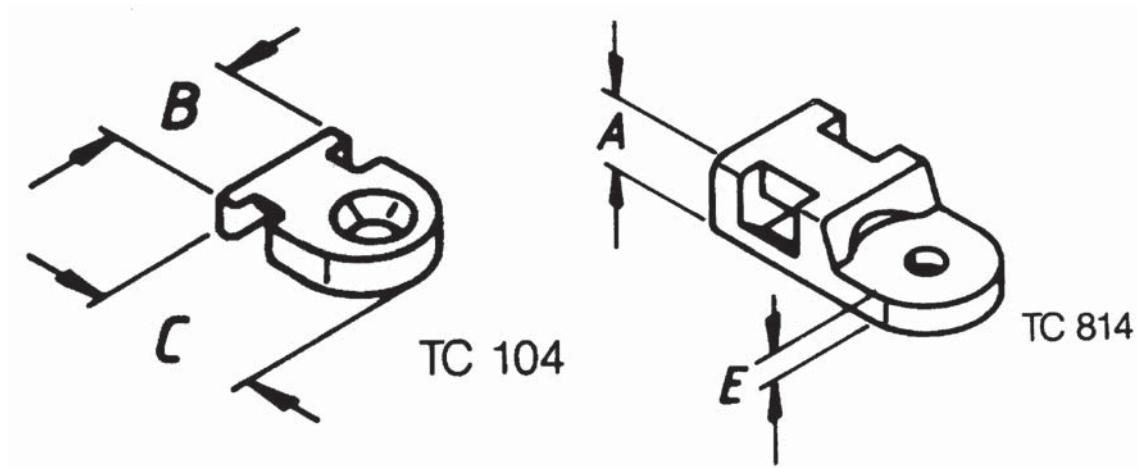
As adhesive base

Part no.	Type	Size l x w	Cable tie max. width mm	Drill hole mm	Unit	Net EUR/100 items at a purchase of		
						up to 1000	1001 - 5000	5001 - 10000
91090	BS 1	19,0 x 19,0	3,6	4,0	100	o. r.	o. r.	o. r.
91091	BS 2	28,0 x 28,0	5	5,0	100	o. r.	o. r.	o. r.
91092	BS 3	26,5 x 26,5	4,8	4,0	100	o. r.	o. r.	o. r.

Dimensions and specifications may be changed without prior notice.

o. r. = on request

TC mounting base



TC for band fastening

Small base for band fastening with countersunk screws, cylinder bolts or rivet assembly.

Material

Polyamide 6.6
Colour: transparent

Technical data

Temperature range: -40°C up to +85°C
Temperature range temporary up to +105°C

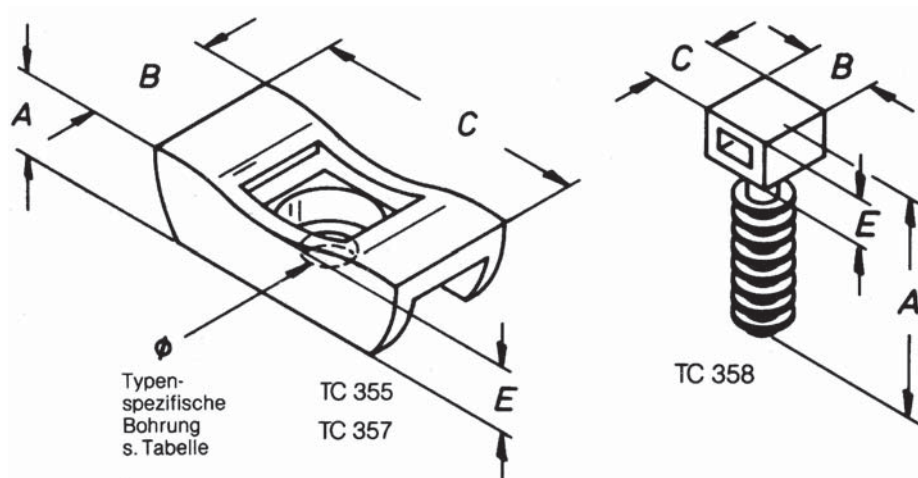
for band fastening

Part no.	Type	Fixing	A mm	B mm	C mm	D mm	E mm	F mm	Boring mm	Tie width max. mm	Unit	Net EUR/100 items at a purchase of		
transparent												up to 1000	1001 - 5000	5001 - 10000
91039	TC 102	Screw-in	3,2	12,7	19,1	-	-	-	4,4	4,8	100	o. r.	o. r.	o. r.
91040	TC 104	Screw-in	2,4	7,9	10,3	-	-	-	3,4	2,4	100	o. r.	o. r.	o. r.
91042	TC 112	Screw-in	4,8	9,5	19,1	-	2,0	-	4,4	4,8	100	o. r.	o. r.	o. r.
91043	TC 812	Screw-in	4,8	9,5	19,1	-	2,0	-	5,1	4,8	100	o. r.	o. r.	o. r.
93006	TC 814	Screw-in	4,8	9,5	19,1	-	2,0	-	3,3	4,8	100	o. r.	o. r.	o. r.

Dimensions and specifications may be changed without prior notice.

o. r. = on request

mounting base



TC as mounting base

Mounting base for robust fastening of lines, pipes and tubes - outdoor applications included.

Material

Polyamide 6.6
Colour: black

Technical data

Temperature range: -40°C up to +85°C
Temperature range temporary up to +105°C

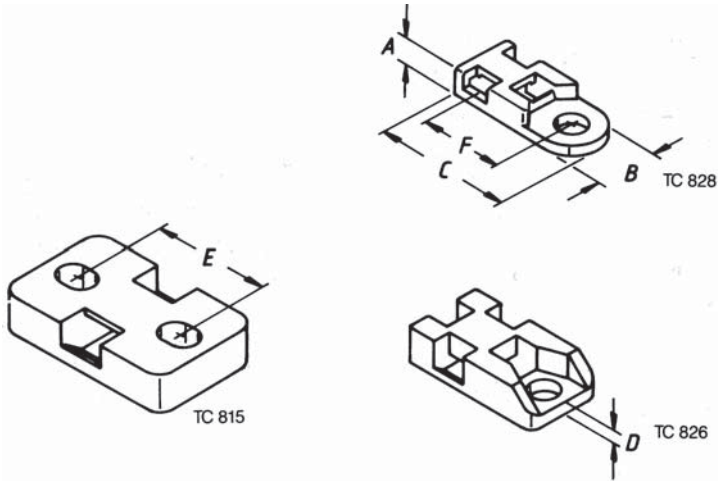
as mounting base

Part no.	Type	Fixing	A mm	B mm	C mm	D mm	E mm	F mm	Boring mm	Tie width max. mm	Unit	Net EUR/100 items at a purchase of		
black												up to 1000	1001 - 5000	5001 - 10000
91046	TC 5355	Screw-in	15,9	19,1	44,5	-	11,1	-	4,6	12,7	25	o. r.	o. r.	o. r.
91047	TC 5357	Screw-in	15,9	19,1	44,5	-	11,1	-	6,7	12,7	25	o. r.	o. r.	o. r.
91048	TC 5358	For fastening with anchors	31,8	9,9	9,9	-	7,1	-	6,4	4,8	100	o. r.	o. r.	o. r.

Dimensions and specifications may be changed without prior notice.

o. r. = on request

TC mounting base



TC as screw base

Mounting base for bolting or riveting. Cable binder can be inserted from 4 sides.

Material

Polyamide 6.6
Colour: transparent

Technical data

Temperature range: -40°C up to +85°C
Temperature range temporary up to +105°C

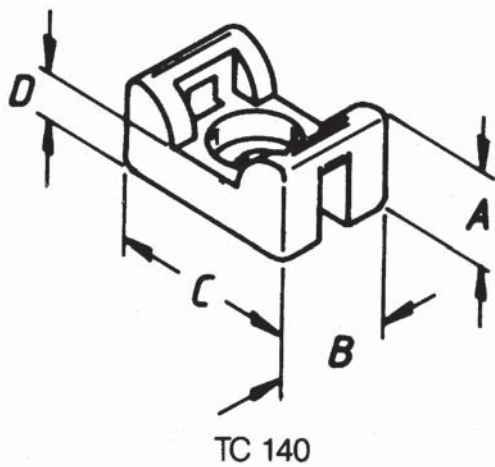
as screwing socket

Part no.	Type	Fixing	A mm	B mm	C mm	D mm	E mm	F mm	Boring mm	Tie width max. mm	Unit	Net EUR/100 items at a purchase of		
												up to 1000	1001 - 5000	5001 - 10000
93007	TC 815	Screw-in	6,4	19,1	31,2	-	19,9	-	5,3	7,6	500	o. r.	o. r.	o. r.
93044	TC 826	Screw-in	5,7	12,7	23,8	-	-	-	4,4	4,8	1000	o. r.	o. r.	o. r.
93045	TC 828	Screw-in	3,8	10,1	22,5	-	-	-	4,3	4,8	1000	o. r.	o. r.	o. r.

Dimensions and specifications may be changed without prior notice.

o. r. = on request

mounting base



TC with saddle

Mounting base with support saddle.

Material

Polyamide 6.6
Colour: transparent

Technical data

Temperature range: -40°C up to +85°C
Temperature range temporary up to +105°C

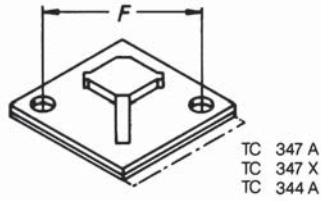
with saddle

Part no.	Type	Fixing	A mm	B mm	C mm	D mm	E mm	F mm	Boring mm	Tie width max. mm	Unit	Net EUR/100 items at a purchase of		
												up to 1000	1001 - 5000	5001 - 10000
93005	TC 140	Screw-in	6,7	8,7	14,2	3,6	-	-	3,0	2,4	500	o. r.	o. r.	o. r.
93003	TC 141	Screw-in	7,5	11,1	17,0	4,0	-	-	3,8	4,8	500	o. r.	o. r.	o. r.
93004	TC 142	Screw-in	10,7	14,2	23,4	5,2	-	-	5,2	7,6	500	o. r.	o. r.	o. r.

Dimensions and specifications may be changed without prior notice.

o. r. = on request

TC mounting base



TC as adhesive base

Adhesive base with foamed adhesive foil for smoothing out slightly uneven surfaces. Adheres to smooth, grease-free surfaces.

Material

Polyamide 6.6
Colour: transparent

Technical data

Temperature range: -40°C up to +85°C
Temperature range temporary up to +105°C

Note

* Part no. 91036 is black and UV-resistant, as well self-adhesive and screwable.

as adhesive base

Part no.	Type	Fixing	A mm	B mm	C mm	D mm	E mm	F mm	Boring mm	Tie width max. mm	Unit	Net EUR/100 items at a purchase of		
												up to 1000	1001 - 5000	5001 - 10000
93000	TC 344 A	Screw-in	4,9	19,1	19,1	-	-	-	-	3,6	1000	o. r.	o. r.	o. r.
93001	TC 347 A	Self-adhesive	8,5	29,0	29,0	-	-	-	-	7,6	1000	o. r.	o. r.	o. r.
91036	TC 347 X	Screw-in	7,8	28,6	28,6	-	-	-	-	7,6	1000	o. r.	o. r.	o. r.

Dimensions and specifications may be changed without prior notice.

o. r. = on request

По вопросам продаж и поддержки обращайтесь:

Алматы (7273)495-231	Казань (843)206-01-48	Новокузнецк (3843)20-46-81	Смоленск (4812)29-41-54
Архангельск (8182)63-90-72	Калининград (4012)72-03-81	Новосибирск (383)227-86-73	Сочи (862)225-72-31
Астрахань (8512)99-46-04	Калуга (4842)92-23-67	Омск (3812)21-46-40	Ставрополь (8652)20-65-13
Барнаул (3852)73-04-60	Кемерово (3842)65-04-62	Орел (4862)44-53-42	Сургут (3462)77-98-35
Белгород (4722)40-23-64	Киров (8332)68-02-04	Оренбург (3532)37-68-04	Тверь (4822)63-31-35
Брянск (4832)59-03-52	Краснодар (861)203-40-90	Пенза (8412)22-31-16	Томск (3822)98-41-53
Владивосток (423)249-28-31	Красноярск (391)204-63-61	Пермь (342)205-81-47	Тула (4872)74-02-29
Волгоград (844)278-03-48	Курск (4712)77-13-04	Ростов-на-Дону (863)308-18-15	Тюмень (3452)66-21-18
Вологда (8172)26-41-59	Липецк (4742)52-20-81	Рязань (4912)46-61-64	Ульяновск (8422)24-23-59
Воронеж (473)204-51-73	Магнитогорск (3519)55-03-13	Самара (846)206-03-16	Уфа (347)229-48-12
Екатеринбург (343)384-55-89	Москва (495)268-04-70	Санкт-Петербург (812)309-46-40	Хабаровск (4212)92-98-04
Иваново (4932)77-34-06	Мурманск (8152)59-64-93	Саратов (845)249-38-78	Челябинск (351)202-03-61
Ижевск (3412)26-03-58	Набережные Челны (8552)20-53-41	Севастополь (8692)22-31-93	Череповец (8202)49-02-64
Иркутск (395)279-98-46	Нижний Новгород (831)429-08-12	Симферополь (3652)67-13-56	Ярославль (4852)69-52-93
Россия (495)268-04-70	Киргизия (996)312-96-26-47	Казахстан (7172)727-132	