

Технические характеристики

По вопросам продаж и поддержки обращайтесь:

Алматы (7273)495-231	Казань (843)206-01-48	Новокузнецк (3843)20-46-81	Смоленск (4812)29-41-54
Архангельск (8182)63-90-72	Калининград (4012)72-03-81	Новосибирск (383)227-86-73	Сочи (862)225-72-31
Астрахань (8512)99-46-04	Калуга (4842)92-23-67	Омск (3812)21-46-40	Ставрополь (8652)20-65-13
Барнаул (3852)73-04-60	Кемерово (3842)65-04-62	Орел (4862)44-53-42	Сургут (3462)77-98-35
Белгород (4722)40-23-64	Киров (8332)68-02-04	Оренбург (3532)37-68-04	Тверь (4822)63-31-35
Брянск (4832)59-03-52	Краснодар (861)203-40-90	Пенза (8412)22-31-16	Томск (3822)98-41-53
Владивосток (423)249-28-31	Красноярск (391)204-63-61	Пермь (342)205-81-47	Тула (4872)74-02-29
Волгоград (844)278-03-48	Курск (4712)77-13-04	Ростов-на-Дону (863)308-18-15	Тюмень (3452)66-21-18
Вологда (8172)26-41-59	Липецк (4742)52-20-81	Рязань (4912)46-61-64	Ульяновск (8422)24-23-59
Воронеж (473)204-51-73	Магнитогорск (3519)55-03-13	Самара (846)206-03-16	Уфа (347)229-48-12
Екатеринбург (343)384-55-89	Москва (495)268-04-70	Санкт-Петербург (812)309-46-40	Хабаровск (4212)92-98-04
Иваново (4932)77-34-06	Мурманск (8152)59-64-93	Саратов (845)249-38-78	Челябинск (351)202-03-61
Ижевск (3412)26-03-58	Набережные Челны (8552)20-53-41	Севастополь (8692)22-31-93	Череповец (8202)49-02-64
Иркутск (395)279-98-46	Нижний Новгород (831)429-08-12	Симферополь (3652)67-13-56	Ярославль (4852)69-52-93
Россия (495)268-04-70	Киргизия (996)312-96-26-47	Казахстан (7172)727-132	

HELUcond PE Corrugated tubes, polyethylene

Weak stress



HELUcond PE-F / PE-B

Cable protection tube for weak stress applications.

Capacity/100mm NW 17: approx. 200 N

Application

- Plant and machine construction
- Automation technology
- Installation technology
- Control cabinet construction

Material

Mod. Polyethylene

Flammability acc. to UL 94: HB

- halogen-free

Properties

- Resistant to bases.

Note

Suitable connection glands:
HELUquick.

Technical data

Temperature range: -40°C up to +70°C

Temperature range temporary up to +90°C

Fine profile / PE-F

Part no. grey	Part no. black	Nominal size mm	Inner Ø mm	Outer Ø mm	Per metres	Net EUR/100 metres at a purchase of		
						up to 100	101 - 500	501 - 1000
91621	90448	10,0	9,8	12,7	50	o. r.	o. r.	o. r.
90433	90449	12,0	11,6	15,6	50	o. r.	o. r.	o. r.
90435	90451	17,0	16,3	20,8	50	o. r.	o. r.	o. r.
90436	90452	23,0	22,9	27,9	50	o. r.	o. r.	o. r.
90437	90453	29,0	28,9	34,0	25	o. r.	o. r.	o. r.
90438	90454	37,0	33,5	41,5	25	o. r.	o. r.	o. r.
90439	90455	50,0	45,2	53,4	25	o. r.	o. r.	o. r.

Coarse profile / PE-B

Part no. grey	Part no. black	Nominal size mm	Inner Ø mm	Outer Ø mm	Per metres	Net EUR/100 metres at a purchase of		
						up to 100	101 - 500	501 - 1000
93781	93786	21,0	21,7	28,0	50	o. r.	o. r.	o. r.
93782	93787	29,0	28,5	34,5	25	o. r.	o. r.	o. r.
93783	93788	36,0	36,0	42,4	25	o. r.	o. r.	o. r.
93784	93789	48,0	47,7	54,5	25	o. r.	o. r.	o. r.

Dimensions and specifications may be changed without prior notice.

o. r. = on request

HELUcond PA6-L Corrugated tubes, polyamide

Weak stress



HELUcond PA6-L

Cable protection tube for weak to medium stress applications.
Capacity/100mm NW 17: approx. 250 N

Application

- Plant and machine construction
- Automation technology
- Vehicle construction and shipbuilding
- Installation technology
- Control cabinet construction

Material

Mod. Polyamide PA 6

Flammability acc. to UL 94: V2

- halogen-free
- phosphor-free

Properties

Resistant to a multitude of

- Fuels
- Mineral oils
- Greases
- Weak bases
- Weak acids

Note

Suitable connection glands:
HELUquick, HSSV.

Technical data

Temperature range: -40°C up to +120°C
Temperature range temporary up to +150°C

Fine profile

Part no. grey	Part no. black	Nominal size mm	Inner Ø mm	Outer Ø mm	Per metres	Net EUR/ 100 metres at a purchase of		
						up to 100	101 - 500	501 - 1000
99610	99620	7,5	6,8	10,0	50	o. r.	o. r.	o. r.
99611	99621	10,0	10,0	12,8	50	o. r.	o. r.	o. r.
99612	99622	12,0	12,5	15,7	50	o. r.	o. r.	o. r.
99613	99623	14,0	14,4	18,5	50	o. r.	o. r.	o. r.
99614	99624	17,0	16,8	21,1	50	o. r.	o. r.	o. r.
99615	99625	23,0	23,4	28,4	50	o. r.	o. r.	o. r.
99616	99626	29,0	29,2	34,5	25	o. r.	o. r.	o. r.
99617	99627	37,0	34,0	41,8	25	o. r.	o. r.	o. r.
99618	99628	50,0	46,0	53,8	25	o. r.	o. r.	o. r.

Dimensions and specifications may be changed without prior notice.

o. r. = on request

HELUcond PA6-S Corrugated tubes, polyamide

Medium stress



HELUcond PA6-S

Cable protection tube for medium to heavy-duty applications.

Capacity/100mm NW 17: approx. 350 N

Application

- Plant and machine construction
- Robotics
- Automation technology
- Vehicle construction and shipbuilding
- Railway technology
- Installation technology
- Control cabinet construction

Material

Mod. Polyamide PA 6

Flammability acc. to UL 94: V2

- halogen-free
- cadmium-free

Properties

Resistant to a multitude of

- Fuels
- Mineral oils
- Greases
- Weak bases
- Weak acids

Note

Suitable connection glands:
HELUquick, HSSV.

Technical data

Temperature range: -40°C up to +120°C

Temperature range temporary up to +150°C

Fine profile

Part no. grey	Part no. black	Nominal size mm	Inner Ø mm	Outer Ø mm	Per metres	Net EUR/ 100 metres at a purchase of		
						up to 100	101 - 500	501 - 1000
920154	920155	4,5	4,5	7,1	100	o. r.	o. r.	o. r.
92724	92723	7,5	6,6	10,0	50	o. r.	o. r.	o. r.
92676	92713	10,0	9,8	12,8	50	o. r.	o. r.	o. r.
92677	92714	12,0	12,3	15,7	50	o. r.	o. r.	o. r.
92678	92715	17,0	16,6	21,1	50	o. r.	o. r.	o. r.
92679	92716	23,0	23,1	28,4	50	o. r.	o. r.	o. r.
92685	92717	29,0	28,9	34,5	25	o. r.	o. r.	o. r.
92686	92718	37,0	34,0	42,2	25	o. r.	o. r.	o. r.
92687	92719	50,0	45,6	53,8	25	o. r.	o. r.	o. r.

Dimensions and specifications may be changed without prior notice.

o. r. = on request

HELUcond PA6 Corrugated tubes, polyamide



Medium stress



HELUcond PA6-F / PA6-B

Cable protection tube for medium to heavy-duty applications.
Capacity/100mm NW 16/17: approx. 350 N

Application

- Plant and machine construction
- Robotics
- Automation technology
- Vehicle construction and shipbuilding
- Railway technology
- Installation technology
- Control cabinet construction

Material

Mod. Polyamide PA 6
Flammability acc. to UL 94: HB

- halogen-free
- cadmium-free

Properties

Resistant to a multitude of

- Fuels
- Mineral oils
- Greases
- Weak bases
- Weak acids

Note

- UL recognized / UR from trade size 16.0
- Suitable connection glands:
HELUquick, HSSV.

Technical data

Temperature range: -40°C up to +120°C
Temperature range temporary up to +150°C

Fine profile / PA6-F

Part no. grey	Part no. black	Nominal size mm	Inner Ø mm	Outer Ø mm	Per metres	Net EUR/100 metres at a purchase of		
						up to 100	101 - 500	501 - 1000
92675	96806	7,5	6,7	10,0	50	o. r.	o. r.	o. r.
90440	90456	10,0	9,9	13,0	50	o. r.	o. r.	o. r.
90441	90457	12,0	12,2	15,7	50	o. r.	o. r.	o. r.
90443	90459	17,0	16,6	21,2	50	o. r.	o. r.	o. r.
90444	90460	23,0	23,2	28,3	50	o. r.	o. r.	o. r.
90445	90461	29,0	29,0	34,5	25	o. r.	o. r.	o. r.
90446	90462	37,0	36,0	42,4	25	o. r.	o. r.	o. r.
90447	90463	50,0	48,1	53,8	25	o. r.	o. r.	o. r.

Coarse profile / PA6-B

Part no. grey	Part no. black	Nominal size mm	Inner Ø mm	Outer Ø mm	Per metres	Net EUR/100 metres at a purchase of		
						up to 100	101 - 500	501 - 1000
93790	93795	16,0	15,8	21,0	50	o. r.	o. r.	o. r.
93791	93796	21,0	22,4	28,5	50	o. r.	o. r.	o. r.
93792	93797	29,0	28,5	34,5	25	o. r.	o. r.	o. r.
93793	93798	36,0	36,0	42,5	25	o. r.	o. r.	o. r.
93794	93799	48,0	46,5	54,5	25	o. r.	o. r.	o. r.

Dimensions and specifications may be changed without prior notice.

o. r. = on request

HELUcond PA6-UL Corrugated tubes, polyamide



For heavy duty applications



HELUcond PA6-UL-F/B

Heavy-duty cable protection tube for heavy-duty mechanical applications.
Capacity/100mm NW 16/17: approx. 750 N

Application

- Plant and machine construction
- Robotics
- Automation technology
- Vehicle construction and shipbuilding
- Railway technology
- Installation technology
- Control cabinet construction

Material

Mod. Polyamide PA 6
Flammability acc. to UL 94: V0

- halogen-free
- cadmium-free

Properties

Resistant to a multitude of

- Fuels
- Mineral oils
- Greases
- Weak bases
- Weak acids

Note

- UL recognized / UR from trade size 12,0
- Suitable connection glands:
HELUquick, HSSV.

Technical data

Temperature range: -40°C up to +140°C
Temperature range temporary up to +160°C

Fine profile / PA6-UL-F

Part no. grey	Part no. black	Nominal size mm	Inner Ø mm	Outer Ø mm	Per metres	Net EUR/100 metres at a purchase of		
						up to 100	101 - 500	501 - 1000
920384	920394	7,5	6,4	10,0	50	o. r.	o. r.	o. r.
920385	920395	10,0	9,0	13,0	50	o. r.	o. r.	o. r.
920386	920396	12,0	11,0	15,8	50	o. r.	o. r.	o. r.
920387	920397	17,0	16,6	21,0	50	o. r.	o. r.	o. r.
920388	920398	23,0	21,6	28,5	50	o. r.	o. r.	o. r.

Coarse profile / PA6-UL-B

Part no. grey	Part no. black	Nominal size mm	Inner Ø mm	Outer Ø mm	Per metres	Net EUR/100 metres at a purchase of		
						up to 100	101 - 500	501 - 1000
920389	920399	16,0	15,3	21,0	50	o. r.	o. r.	o. r.
920390	920400	21,0	21,6	28,5	50	o. r.	o. r.	o. r.
920391	920401	29,0	27,5	34,5	25	o. r.	o. r.	o. r.
920392	920402	36,0	35,0	42,5	25	o. r.	o. r.	o. r.
920393	920403	48,0	45,5	54,5	25	o. r.	o. r.	o. r.

Dimensions and specifications may be changed without prior notice.

o. r. = on request

HELUcond PA12 Corrugated tubes, polyamide PA12

High flexible and high load rating



HELUcond PA12-F / PA12-B

Cable protection tube for heavy-duty applications.
Capacity/100mm NW 17: approx. 350 N

Application

- Plant and machine construction
- Robotics
- Automation technology
- Railway technology
- Installation technology

Material

Mod. Polyamide 12
Flammability acc. to UL 94: HB

- halogen-free
- cadmium-free

Properties

Resistant to a multitude of

- Fuels
- Mineral oils
- Greases
- Weak bases
- Weak acids

Note

Suitable connection glands:
HELUquick, HSSV.

Technical data

Temperature range: -50°C up to +120°C
Temperature range temporary up to +150°C

Fine profile / PA12-F

Part no. grey	Part no. black	Nominal size mm	Inner Ø mm	Outer Ø mm	Per metres	Net EUR/100 metres at a purchase of		
						up to 100	101 - 500	501 - 1000
920156	920163	10,0	9,9	13,0	50	o. r.	o. r.	o. r.
920157	920164	12,0	12,2	15,7	50	o. r.	o. r.	o. r.
920158	920165	17,0	16,6	21,2	50	o. r.	o. r.	o. r.

Coarse profile / PA12-B

Part no. grey	Part no. black	Nominal size mm	Inner Ø mm	Outer Ø mm	Per metres	Net EUR/100 metres at a purchase of		
						up to 100	101 - 500	501 - 1000
920159	920166	21,0	22,4	28,3	50	o. r.	o. r.	o. r.
920160	920167	29,0	28,0	34,3	25	o. r.	o. r.	o. r.
920161	920168	36,0	35,5	42,3	25	o. r.	o. r.	o. r.
920162	905796	48,0	46,5	54,2	25	o. r.	o. r.	o. r.

Dimensions and specifications may be changed without prior notice.

o. r. = on request

HELUcond PP Corrugated tubes, polypropylene

Medium stress



HELUcond PP

Cable protection tube for medium stress applications.
Capacity/100mm NW 17: approx. 350 N

Application

- Plant and machine construction
- Automation technology
- Vehicle construction and shipbuilding
- Railway technology
- Installation technology
- Chemical plants
- Heating and air-conditioning technology

Material

Polypropylene
UV-resistant

Flammability acc. to UL 94: HB

- halogen-free
- cadmium-free

Properties

Resistant to a multitude of

- Fuels
- Mineral oils
- Greases
- Weak bases
- Weak acids

Note

Suitable connection glands:
HELUquick, HSSV.

Technical data

Temperature range: -40°C up to +130°C
Temperature range temporary up to +150°C

Fine profile

Part no. black	Nominal size mm	Inner Ø mm	Outer Ø mm	Per metres	Net EUR/ 100 metres at a purchase of		
					up to 100	101 - 500	501 - 1000
920170	7,5	6,7	10,0	100	o. r.	o. r.	o. r.
920171	10,0	9,7	12,8	50	o. r.	o. r.	o. r.
920172	12,0	11,6	15,7	50	o. r.	o. r.	o. r.
920173	14,0	14,1	18,4	50	o. r.	o. r.	o. r.
920174	17,0	16,5	21,0	50	o. r.	o. r.	o. r.
920175	23,0	23,0	28,0	50	o. r.	o. r.	o. r.
920176	29,0	28,8	34,0	50	o. r.	o. r.	o. r.
920177	37,0	33,5	41,6	25	o. r.	o. r.	o. r.
920178	50,0	44,8	53,4	25	o. r.	o. r.	o. r.

Dimensions and specifications may be changed without prior notice.

o. r. = on request

HELUquick Corrugated tubes conduit gland - straight



Plastic male thread



HELUquick gland straight

Quick-insert glands for a reliable, quick connection.
Suitable for parallel-corrugated HELUcond protection tubes.

Material

Polyamide PA 6

- halogen-free
- silicone-free
- cadmium-free

Technical data

Protection class: IP 68

Temperature range: -40°C up to +115°C

Properties

Resistant to a multitude of

- Oil
- Gasoline
- Weak bases
- Weak acids

Note

- UR-tested
- Disassembly without additional opener.
Also available angled (45° and 90°).

Metric thread

Part no. grey	Part no. black	Size Metric	Suitable for ND	Thread length mm	Spanner size mm	Unit	Net EUR/100 items at a purchase of		
							up to 100	101 - 500	501 - 1000
904797	904820	M12 x 1,5	7,5	11,5	16,0	50	o. r.	o. r.	o. r.
904798	904821	M12 x 1,5	10,0	12,0	18,0	50	o. r.	o. r.	o. r.
904799	904822	M16 x 1,5	10,0	11,5	18,0	50	o. r.	o. r.	o. r.
904800	904823	M16 x 1,5	12,0	11,5	21,0	50	o. r.	o. r.	o. r.
904801	904824	M20 x 1,5	12,0	13,0	21,0	50	o. r.	o. r.	o. r.
904802	904825	M20 x 1,5	17,0	13,0	27,0	50	o. r.	o. r.	o. r.
904803	904826	M25 x 1,5	17,0	13,0	27,0	50	o. r.	o. r.	o. r.
904804	904827	M25 x 1,5	23,0	13,0	34,0	25	o. r.	o. r.	o. r.
904861	904828	M32 x 1,5	23,0	15,0	34,0	25	o. r.	o. r.	o. r.
904862	904829	M32 x 1,5	29,0	15,0	40,0	25	o. r.	o. r.	o. r.
904863	904830	M40 x 1,5	29,0	15,0	40,0	25	o. r.	o. r.	o. r.
904864	904831	M40 x 1,5	37,0	17,0	55,0	25	o. r.	o. r.	o. r.
904865	904832	M50 x 1,5	37,0	17,0	60,0	25	o. r.	o. r.	o. r.
904866	904833	M50 x 1,5	50,0	17,0	65,0	10	o. r.	o. r.	o. r.
904867	904834	M63 x 1,5	50,0	17,0	70,0	10	o. r.	o. r.	o. r.

Dimensions and specifications may be changed without prior notice.

o. r. = on request

HELUquick Corrugated tubes conduit gland - elbow 90°



Male thread, plastic



HELUquick gland elbow 90°

Quick-insert glands for a reliable, quick connection.

Suitable for parallel-corrugated HELUcond protection tubes.

Application

- Plant and machine construction
- Robotics
- Automation technology
- Vehicle construction and shipbuilding
- Railway technology
- Installation technology
- Control cabinet construction

Material

Polyamide PA 6

- halogen-free
- silicone-free
- cadmium-free

Properties

Resistant to a multitude of

- Oil
- Gasoline
- Weak bases
- Weak acids

Note

- UR-tested
- Disassembly without additional opener.
Also available straight and angled 45°.

Technical data

Protection class: IP 68

Temperature range: -40°C up to +115°C

Metric thread

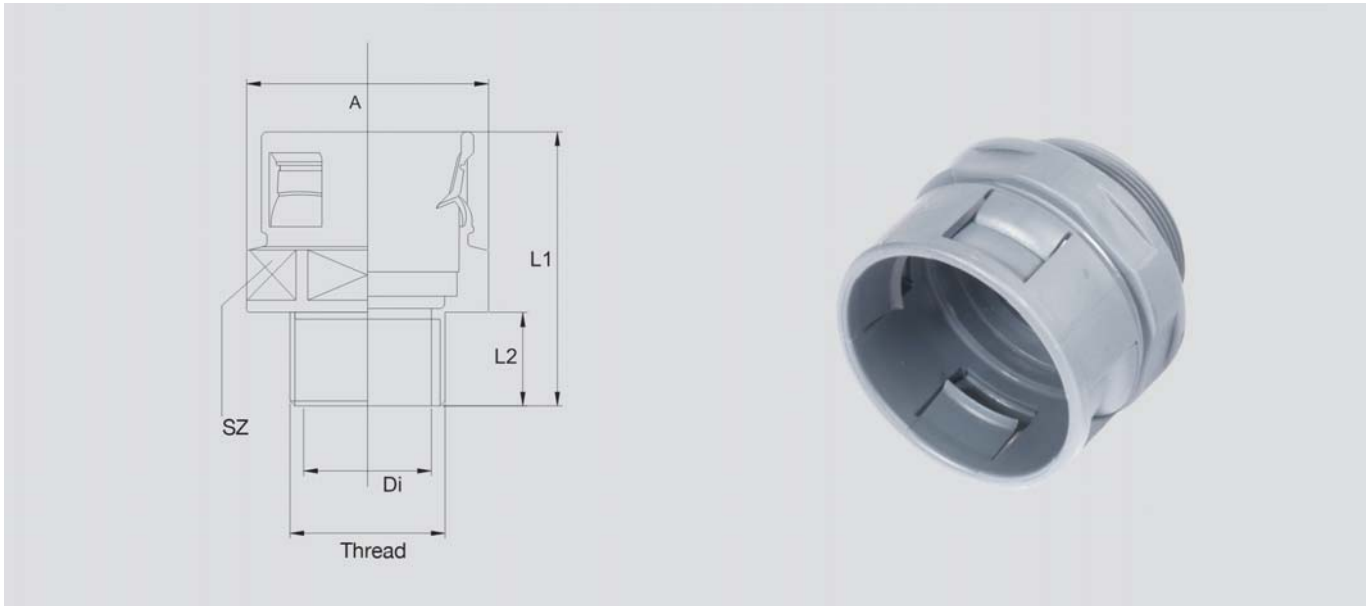
Part no. grey	Part no. black	Size Metric	Suitable for ND	Thread length mm	Spanner size mm	Unit	Net EUR/ 100 items at a purchase of		
							up to 100	101 - 500	501 - 1000
904805	904835	M10 x 1,0	7,5	12,0	-	50	o. r.	o. r.	o. r.
904806	904836	M12 x 1,5	10,0	10,0	-	50	o. r.	o. r.	o. r.
904807	904837	M16 x 1,5	10,0	12,0	-	50	o. r.	o. r.	o. r.
904808	904838	M16 x 1,5	12,0	12,0	-	50	o. r.	o. r.	o. r.
904809	904839	M20 x 1,5	12,0	13,0	-	50	o. r.	o. r.	o. r.
904810	904840	M20 x 1,5	17,0	13,0	-	50	o. r.	o. r.	o. r.
904811	904841	M25 x 1,5	17,0	13,0	-	50	o. r.	o. r.	o. r.
904812	904842	M25 x 1,5	23,0	13,0	-	50	o. r.	o. r.	o. r.
904813	904843	M32 x 1,5	23,0	15,0	-	25	o. r.	o. r.	o. r.
904814	904844	M32 x 1,5	29,0	15,0	-	10	o. r.	o. r.	o. r.
904815	904845	M40 x 1,5	29,0	15,0	-	10	o. r.	o. r.	o. r.
904816	904846	M40 x 1,5	37,0	15,0	-	10	o. r.	o. r.	o. r.
904817	904847	M50 x 1,5	37,0	15,5	-	10	o. r.	o. r.	o. r.
904818	904848	M50 x 1,5	50,0	15,0	-	5	o. r.	o. r.	o. r.
904819	904849	M63 x 1,5	50,0	16,0	-	5	o. r.	o. r.	o. r.

Dimensions and specifications may be changed without prior notice.

o. r. = on request

HSSV Corrugated tubes conduit gland - straight

Male thread, plastic



HSSV gland straight

Quick-insert glands for a reliable, quick connection.

Suitable for parallel-corrugated HELUcond protection tubes.

Application

- Plant and machine construction
- Robotics
- Automation technology
- Vehicle construction and shipbuilding
- Railway technology
- Installation technology
- Control cabinet construction

Material

Polyamide PA 6

Flammability acc. to UL 94: V0

- halogen-free
- cadmium-free

Properties

Resistant to a multitude of

- Fuels
- Mineral oils
- Greases
- Weak bases
- Weak acids

Note

- UR-tested
- Protection classification:
- IP 66 with outer seal
- Threaded connection:
Metric to EN 60423
Each unit includes 1 safety opener

Technical data

Protection class: IP 65

Temperature range: -40°C up to +110°C

Metric thread

Part no. grey	Part no. black	Size Metric	Suitable for ND	Thread length mm	Spanner size mm	Unit	Net EUR/ 100 items at a purchase of		
							up to 100	101 - 500	501 - 1000
905858	905859	M10 x 1,0	7,5	8,5	14,0	50	o. r.	o. r.	o. r.
94180	94190	M12 x 1,5	10,0	8,9	19,0	50	o. r.	o. r.	o. r.
920183	920184	M16 x 1,5	10,0	9,3	19,0	50	o. r.	o. r.	o. r.
94181	94191	M16 x 1,5	12,0	8,6	21,0	50	o. r.	o. r.	o. r.
94182	94192	M20 x 1,5	16,0 / 17,0	13,0	27,0	50	o. r.	o. r.	o. r.
94183	94193	M25 x 1,5	21,0 / 23,0	14,3	36,0	50	o. r.	o. r.	o. r.
94184	94194	M32 x 1,5	29,0	14,2	40,0	25	o. r.	o. r.	o. r.
94185	94195	M40 x 1,5	36,0 / 37,0	15,0	50,0	25	o. r.	o. r.	o. r.
94186	94196	M50 x 1,5	48,0 / 50,0	15,5	65,0	10	o. r.	o. r.	o. r.
920185	920186	M63 x 1,5	48,0 / 50,0	15,5	65,0	10	o. r.	o. r.	o. r.

PG thread

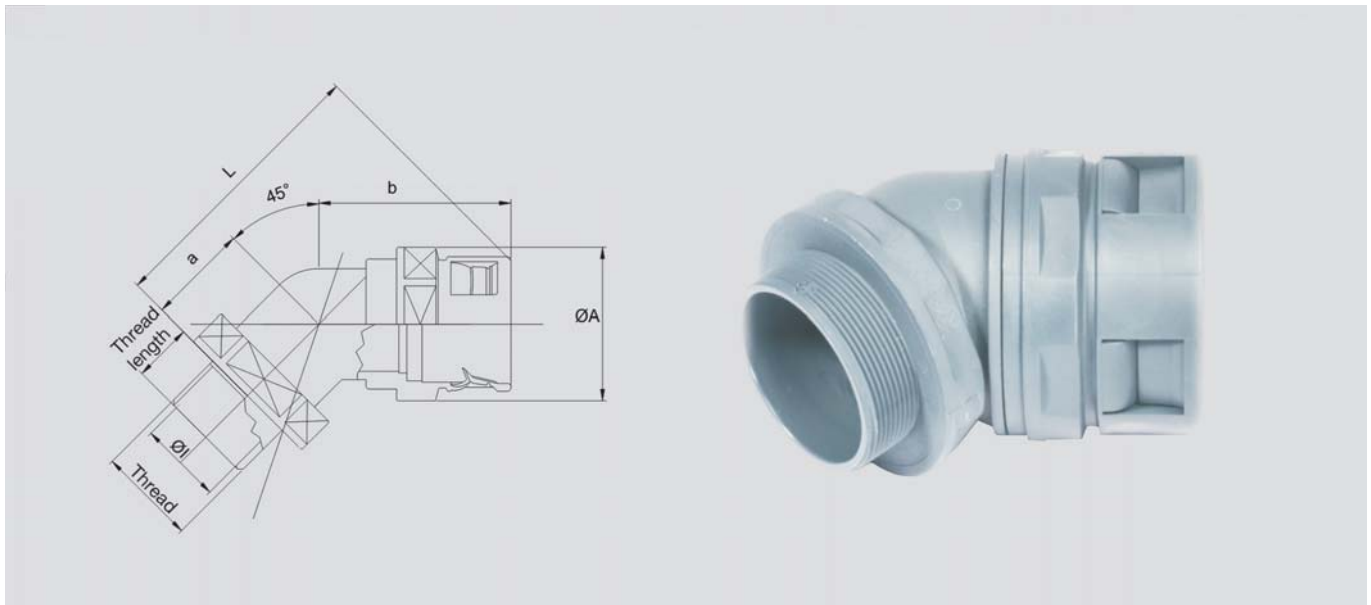
Part no. grey	Part no. black	Size PG	Suitable for ND	Thread length mm	Spanner size mm	Unit	Net EUR/ 100 items at a purchase of		
							up to 100	101 - 500	501 - 1000
90480	90490	7	7,5	7,0	14,0	50	o. r.	o. r.	o. r.
90481	90491	9	10,0	7,6	19,0	50	o. r.	o. r.	o. r.
90482	90492	11	12,0	8,5	21,0	50	o. r.	o. r.	o. r.
90483	90493	13,5	16,0 / 17,0	9,8	27,0	50	o. r.	o. r.	o. r.
90484	90494	16	16,0 / 17,0	9,9	27,0	50	o. r.	o. r.	o. r.
90485	90495	21	21,0 / 23,0	11,7	36,0	50	o. r.	o. r.	o. r.
90486	90496	29	29,0	11,7	40,0	25	o. r.	o. r.	o. r.
90487	90497	36	36,0 / 37,0	15,0	50,0	25	o. r.	o. r.	o. r.
90488	90498	48	48,0 / 50,0	15,0	65,0	10	o. r.	o. r.	o. r.

Dimensions and specifications may be changed without prior notice.

o. r. = on request

HSSV Corrugated tubes conduit gland - elbow 45°

Male thread, plastic



HSSV gland 45°

Quick-insert glands for a reliable, quick connection.
Suitable for parallel-corrugated HELUcond protection tubes.

Application

- Plant and machine construction
- Robotics
- Automation technology
- Vehicle construction and shipbuilding
- Railway technology
- Installation technology
- Control cabinet construction

Material

Polyamide PA 6

- halogen-free
- cadmium-free

Properties

Resistant to a multitude of

- Fuels
- Mineral oils
- Greases
- Weak bases
- Weak acids

Note

- UR-tested
- Protection classification:
• IP 66 with outer seal
- Threaded connection:
Metric to EN 60423
- Each unit includes 1 safety opener.
With PG thread on request.

Technical data

Protection class: IP 65

Temperature range: -40°C up to +110°C

Metric thread

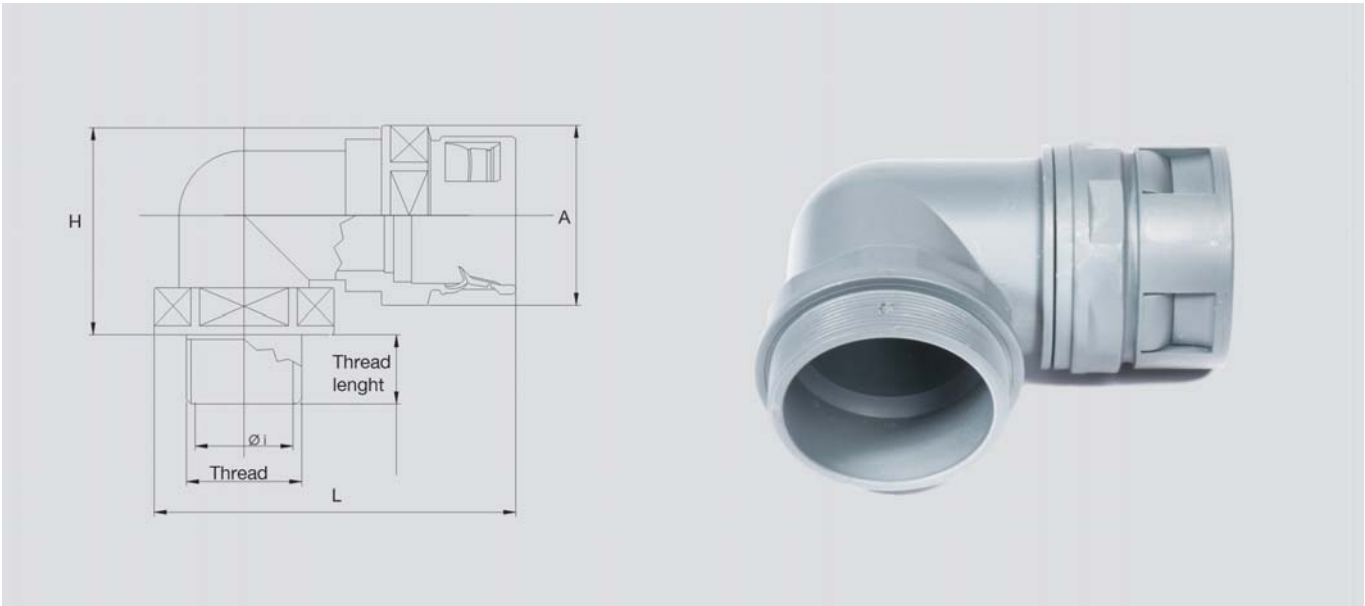
Part no. grey	Part no. black	Size Metric	Suitable for ND	Thread length mm	Unit	Net EUR/100 items at a purchase of		
						up to 100	101 - 500	501 - 1000
920196	920204	M25 x 1,5	21,0 / 23,0	15,5	50	o. r.	o. r.	o. r.
920197	920205	M32 x 1,5	29,0	13,6	25	o. r.	o. r.	o. r.
920198	920206	M40 x 1,5	36,0 / 37,0	15,8	25	o. r.	o. r.	o. r.
920199	920207	M50 x 1,5	48,0 / 50,0	16,3	10	o. r.	o. r.	o. r.
920200	920208	M63 x 1,5	48,0 / 50,0	15,4	5	o. r.	o. r.	o. r.

Dimensions and specifications may be changed without prior notice.

o. r. = on request

HSSV Corrugated tubes conduit gland - elbow 90°

Plastic male thread



HSSV gland 90°

Quick-insert glands for a reliable, quick connection.

Suitable for parallel-corrugated HELUcond protection tubes.

Application

- Plant and machine construction
- Robotics
- Vehicle construction and shipbuilding
- Railway technology
- Installation technology
- Control cabinet construction

Material

Polyamide PA 6

Flammability acc. to UL 94: V0

- halogen-free
- cadmium-free

Properties

Resistant to a multitude of

- Fuels
- Mineral oils
- Greases
- Weak bases
- Weak acids

Note

- UR-tested
- Protection classification:
- IP 66 with outer seal
- Threaded connection:
- Metric to EN 60423
- Each unit includes 1 safety opener.

Technical data

Protection class: IP 65

Temperature range: -40°C up to +110°C

Metric thread

Part no. grey	Part no. black	Size Metric	Suitable for ND	Thread length mm	Spanner size mm	Unit	Net EUR/100 items at a purchase of		
							up to 100	101 - 500	501 - 1000
94200	94210	M12 x 1,5	10,0	9,5	-	50	o. r.	o. r.	o. r.
98983	920190	M16 x 1,5	10,0	9,0	-	50	o. r.	o. r.	o. r.
94201	94211	M16 x 1,5	12,0	8,0	-	50	o. r.	o. r.	o. r.
94202	94212	M20 x 1,5	16,0 / 17,0	10,5	-	50	o. r.	o. r.	o. r.
94203	94213	M25 x 1,5	21,0 / 23,0	14,8	-	50	o. r.	o. r.	o. r.
94204	94214	M32 x 1,5	29,0	13,8	-	25	o. r.	o. r.	o. r.
94205	94215	M40 x 1,5	36,0 / 37,0	15,6	-	25	o. r.	o. r.	o. r.
94206	94216	M50 x 1,5	48,0 / 50,0	16,0	-	10	o. r.	o. r.	o. r.
920191	920192	M63 x 1,5	48,0 / 50,0	15,5	-	5	o. r.	o. r.	o. r.

PG thread

Part no. grey	Part no. black	Size PG	Suitable for ND	Thread length mm	Spanner size mm	Unit	Net EUR/100 items at a purchase of		
							up to 100	101 - 500	501 - 1000
98440	98363	9	10,0	9,0	-	50	o. r.	o. r.	o. r.
98441	97382	11	12,0	7,7	-	50	o. r.	o. r.	o. r.
98442	98435	13,5	16,0 / 17,0	10,0	-	50	o. r.	o. r.	o. r.
98443	97944	16	16,0 / 17,0	10,0	-	50	o. r.	o. r.	o. r.
98444	98436	21	21,0 / 23,0	11,8	-	50	o. r.	o. r.	o. r.
98445	98437	29	29,0	11,5	-	25	o. r.	o. r.	o. r.
98446	98438	36	36,0 / 37,0	15,5	-	25	o. r.	o. r.	o. r.
98447	98439	48	48,0 / 50,0	16,0	-	10	o. r.	o. r.	o. r.

Dimensions and specifications may be changed without prior notice.

o. r. = on request

HSSV Corrugated tubes conduit gland - elbow 90°

Flange



HSSV gland 90° flange

Quick-insert glands for a reliable, quick connection.
Suitable for parallel-corrugated HELUcond protection.

Application

- Plant and machine construction
- Robotics
- Automation technology
- Vehicle construction and shipbuilding
- Railway technology
- Installation technology
- Control cabinet construction

Material

Polyamide PA 6

Flammability acc. to UL 94: V0 tubes.

- halogen-free
- cadmium-free

Properties

Resistant to a multitude of

- Fuels
- Mineral oils
- Greases
- Weak bases
- Weak acids

Note

- UR-tested
- Protection classification:
- IP 66 with outer seal
- Each unit includes 1 safety opener

Technical data

Protection class: IP 65

Temperature range: -40°C up to +110°C

Flange

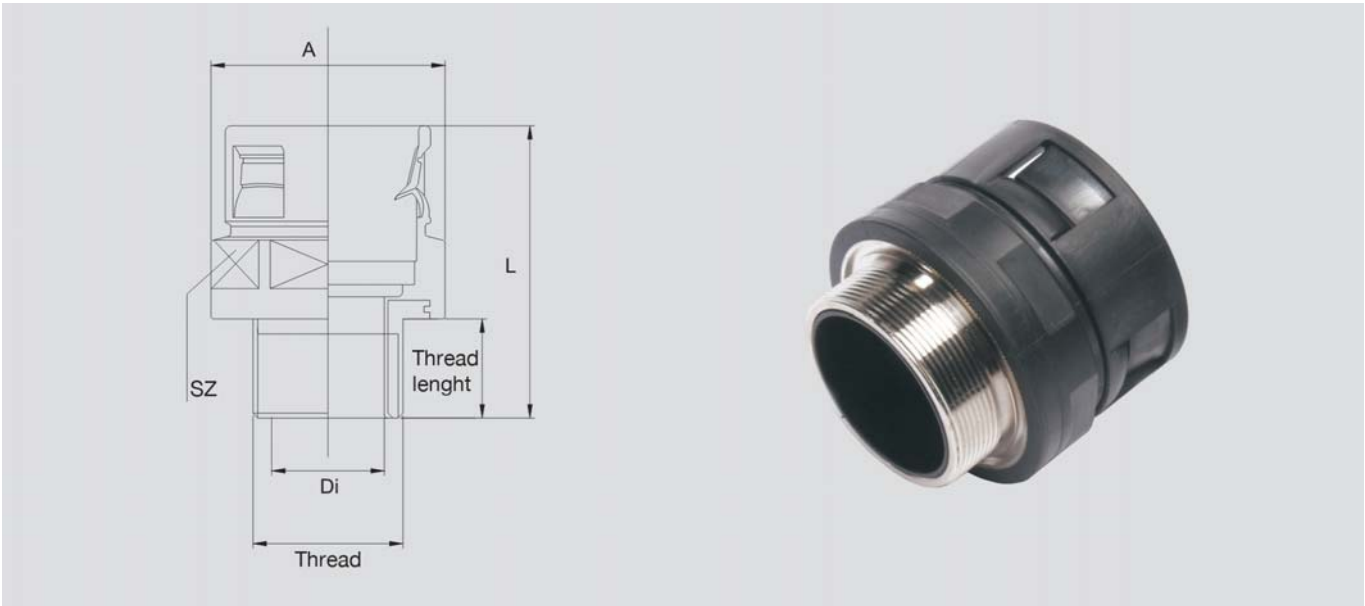
Part no. grey	Part no. black	Suitable for ND	Unit	Net EUR/100 items at a purchase of		
				up to 100	101 - 500	501 - 1000
920209	920214	17,0	50	o. r.	o. r.	o. r.
920210	920215	21,0 / 23,0	50	o. r.	o. r.	o. r.
920211	920216	29,0	25	o. r.	o. r.	o. r.
920212	920217	36,0 / 37,0	25	o. r.	o. r.	o. r.
920213	920218	48,0 / 50,0	10	o. r.	o. r.	o. r.

Dimensions and specifications may be changed without prior notice.

o. r. = on request

HSSV Corrugated tubes conduit gland - straight

Metal male thread



HSSV gland straight

Quick-insert glands with metallic male thread for a reliable, quick connection. Suitable for parallel-corrugated HELUcond protection tubes.

Application

- Plant and machine construction
- Robotics
- Automation technology
- Vehicle construction and shipbuilding
- Railway technology
- Installation technology
- Control cabinet construction

Material

Polyamide PA 6

Flammability acc. to UL 94: V0

- halogen-free
- cadmium-free

Properties

Resistant to a multitude of

- Fuels
- Mineral oils
- Greases
- Weak bases
- Weak acids

Note

Protection classification:

- IP 66 with outer seal

Threaded connection:

Metric to EN 60423

Each unit includes 1 safety opener

Technical data

Protection class: IP 65

Temperature range: -40°C up to +110°C

Metric thread

Part no. grey	Part no. black	Size Metric	Suitable for ND	Thread length mm	Spanner size mm	Unit	Net EUR/100 items at a purchase of		
							up to 100	101 - 500	501 - 1000
920229	920238	M12 x 1,5	10,0	10,0	19,0	50	o. r.	o. r.	o. r.
920230	920239	M16 x 1,5	10,0	10,5	19,0	50	o. r.	o. r.	o. r.
920231	920240	M16 x 1,5	12,0	10,5	21,0	50	o. r.	o. r.	o. r.
920232	920241	M20 x 1,5	16,0 / 17,0	12,0	27,0	50	o. r.	o. r.	o. r.
920233	920242	M25 x 1,5	21,0 / 23,0	15,0	36,0	50	o. r.	o. r.	o. r.
920234	920243	M32 x 1,5	29,0	15,0	40,0	25	o. r.	o. r.	o. r.
920235	920244	M40 x 1,5	36,0 / 37,0	16,0	50,0	25	o. r.	o. r.	o. r.
920236	920245	M50 x 1,5	48,0 / 50,0	16,0	65,0	10	o. r.	o. r.	o. r.

Dimensions and specifications may be changed without prior notice.

o. r. = on request

HSSV Corrugated tubes conduit gland - elbow 45°

Metal male thread



HSSV gland 45°

Quick-insert glands with metallic male thread for a reliable, quick connection. Suitable for parallel-corrugated HELUcond protection tubes.

Application

- Plant and machine construction
- Robotics
- Automation technology
- Vehicle construction and shipbuilding
- Railway technology
- Installation technology
- Control cabinet construction

Material

Polyamide PA 6

- halogen-free

Properties

Resistant to a multitude of

- Fuels
- Mineral oils
- Greases
- Weak bases
- Weak acids

Note

- UR-tested
- Protection classification:
• IP 66 with outer seal
- Threaded connection:
Metric to EN 60423
- Each unit includes 1 safety opener

Technical data

Protection class: IP 65

Temperature range: -40°C up to +110°C

Metric thread

Part no. grey	Part no. black	Size Metric	Suitable for ND	Thread length mm	Unit	Net EUR/ 100 items at a purchase of		
						up to 100	101 - 500	501 - 1000
920265	920269	M25 x 1,5	21,0 / 23,0	15,0	50	o. r.	o. r.	o. r.
920266	920270	M32 x 1,5	29,0	15,0	25	o. r.	o. r.	o. r.
920267	920271	M40 x 1,5	36,0 / 37,0	16,0	25	o. r.	o. r.	o. r.
920268	920272	M50 x 1,5	48,0 / 50,0	16,0	10	o. r.	o. r.	o. r.

Dimensions and specifications may be changed without prior notice.

o. r. = on request

HSSV Corrugated tubes conduit gland - elbow 90°

Metal male thread



HSSV gland 90° with metallic male thread

Quick-insert glands with metallic male thread for a reliable, quick connection. Suitable for parallel-corrugated HELUcond protection tubes.

Application

- Plant and machine construction
- Robotics
- Automation technology
- Vehicle construction and shipbuilding
- Railway technology
- Installation technology
- Control cabinet construction

Material

Polyamide PA 6

Flammability acc. to UL 94: V0

- halogen-free

Properties

Resistant to a multitude of

- Fuels
- Mineral oils
- Greases
- Weak bases
- Weak acids

Note

- UR-tested
- Protection classification:
- IP 66 with outer seal
- Threaded connection:
Metric to EN 60423
Each unit includes 1 safety opener.

Technical data

Protection class: IP 65

Temperature range: -40°C up to +110°C

Metric thread

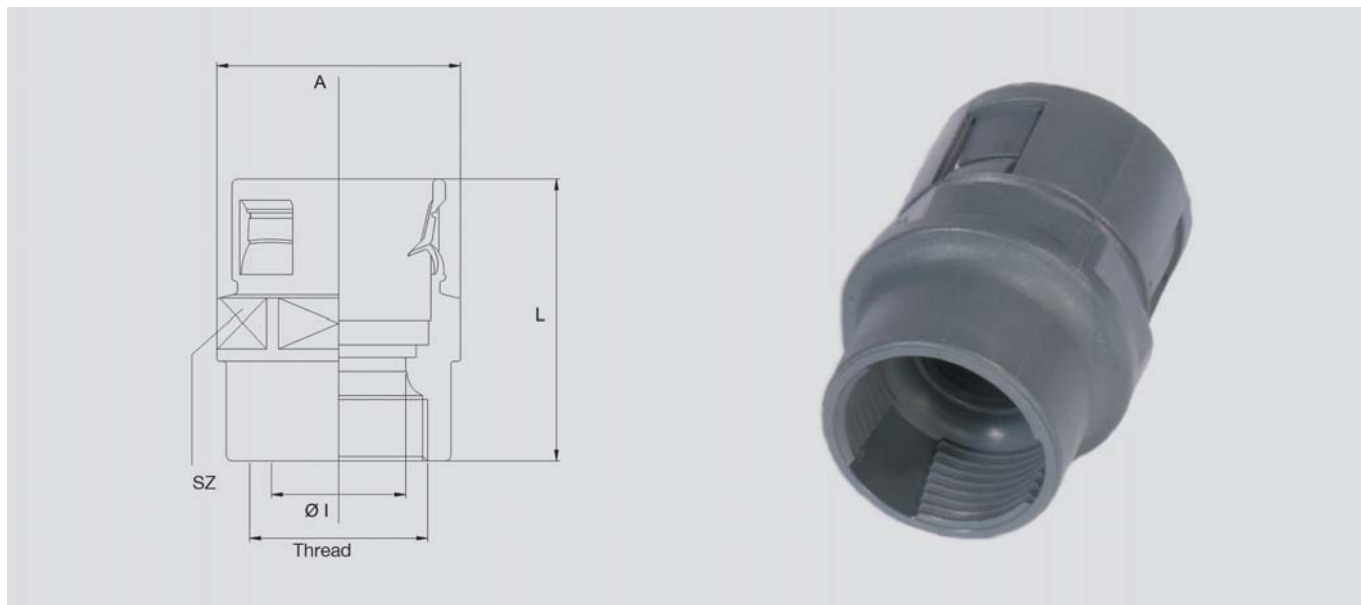
Part no. grey	Part no. black	Size Metric	Suitable for ND	Thread length mm	Unit	Net EUR/100 items at a purchase of		
						up to 100	101 - 500	501 - 1000
920247	920256	M12 x 1,5	10,0	10,0	50	o. r.	o. r.	o. r.
920248	920257	M16 x 1,5	10,0	10,5	50	o. r.	o. r.	o. r.
920249	920258	M16 x 1,5	12,0	10,5	50	o. r.	o. r.	o. r.
920250	920259	M20 x 1,5	17,0	12,0	50	o. r.	o. r.	o. r.
920251	920260	M25 x 1,5	21,0 / 23,0	15,0	50	o. r.	o. r.	o. r.
920252	920261	M32 x 1,5	29,0	15,0	25	o. r.	o. r.	o. r.
920253	920262	M40 x 1,5	36,0 / 37,0	16,0	25	o. r.	o. r.	o. r.
920254	920263	M50 x 1,5	48,0 / 50,0	16,0	10	o. r.	o. r.	o. r.
920255	920264	M63 x 1,5	48,0 / 50,0	16,0	10	o. r.	o. r.	o. r.

Dimensions and specifications may be changed without prior notice.

o. r. = on request

HSSV Corrugated tubes conduit gland - straight

Plastic female thread



HSSV gland straight

Quick-insert glands for a reliable, quick connection.

Suitable for parallel-corrugated HELUcond protection.

Application

- Plant and machine construction
- Robotics
- Automation technology
- Vehicle construction and shipbuilding
- Railway technology
- Installation technology
- Control cabinet construction

Material

Polyamide PA 6

Flammability acc. to UL 94: V0 tubes.

- halogen-free
- cadmium-free

Properties

Resistant to a multitude of

- Fuels
- Mineral oils
- Greases
- Weak bases
- Weak acids

Note

Protection classification:

- IP 66 with outer seal

Threaded connection:

Metric to EN 60423

Each unit includes 1 safety opener

Technical data

Protection class: IP 65

Temperature range: -40°C up to +110°C

Metric thread

Part no. grey	Part no. black	Size Metric	Suitable for ND	Thread length mm	Spanner size mm	Unit	Net EUR/100 items at a purchase of		
							up to 100	101 - 500	501 - 1000
920220	920225	M16 x 1,5	12,0	10,5	21,0	50	o. r.	o. r.	o. r.
920221	920226	M20 x 1,5	17,0	12,6	27,0	50	o. r.	o. r.	o. r.
920222	920227	M25 x 1,5	23,0	12,6	36,0	50	o. r.	o. r.	o. r.
920223	920228	M32 x 1,5	29,0	12,0	40,0 / 34,5	25	o. r.	o. r.	o. r.

PG female thread

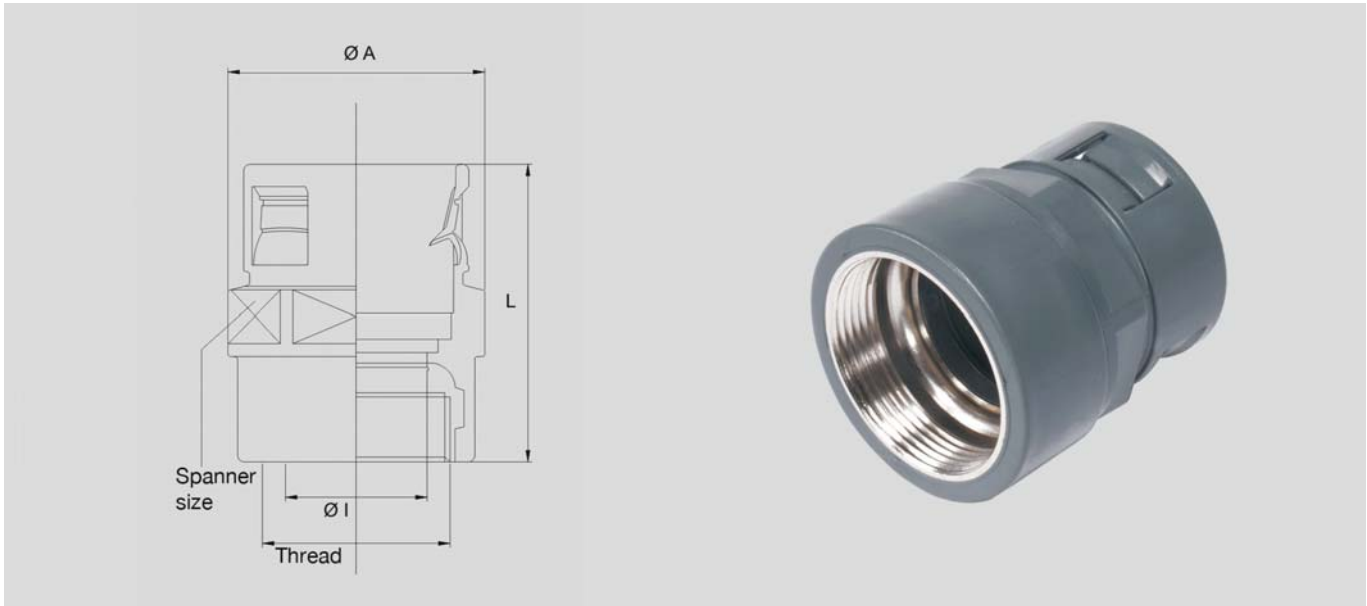
Part no. grey	Part no. black	Size PG	Suitable for ND	Thread length mm	Spanner size mm	Unit	Net EUR/100 items at a purchase of		
							up to 100	101 - 500	501 - 1000
94220	94230	9	10,0	10,2	19,0	50	o. r.	o. r.	o. r.
94221	94231	11	12,0	10,5	21,0	50	o. r.	o. r.	o. r.
94222	94232	13,5	17,0	11,0	27,0	50	o. r.	o. r.	o. r.
94223	94233	16	17,0	10,2	27,0	50	o. r.	o. r.	o. r.
94224	94234	21	23,0	13,5	36,0	50	o. r.	o. r.	o. r.
94225	94235	29	29,0	12,2	40,0	25	o. r.	o. r.	o. r.

Dimensions and specifications may be changed without prior notice.

o. r. = on request

HSSV Corrugated tubes conduit gland - straight

Metal female thread



HSSV gland straight

Quick-insert glands with metallic female thread for a reliable, quick connection. Suitable for parallel-corrugated HELUcond protection.

Application

- Plant and machine construction
- Robotics
- Automation technology
- Vehicle construction and shipbuilding
- Railway technology
- Installation technology
- Control cabinet construction

Material

Polyamide PA 6

Flammability acc. to UL 94: V0 tubes.

- halogen-free
- cadmium-free

Properties

Resistant to a multitude of

- Fuels
- Mineral oils
- Greases
- Weak bases
- Weak acids

Note

Protection classification:

- IP 66 with outer seal

Threaded connection:

Metric to EN 60423

Each unit includes 1 safety opener

Technical data

Protection class: IP 65

Temperature range: -40°C up to +110°C

Metric female thread

Part no. grey	Part no. black	Size Metric	Suitable for ND	Thread length mm	Spanner size mm	Unit	Net EUR/100 items at a purchase of		
							up to 100	101 - 500	501 - 1000
920273	920281	M12 x 1,5	10,0	8,0	19,0	50	o. r.	o. r.	o. r.
920274	920282	M16 x 1,5	10,0	9,0	19,0	50	o. r.	o. r.	o. r.
920275	920283	M16 x 1,5	12,0	9,0	21,0	50	o. r.	o. r.	o. r.
920276	920284	M20 x 1,5	16,0 / 17,0	11,0	27,0	50	o. r.	o. r.	o. r.
920277	920285	M25 x 1,5	21,0 / 23,0	11,5	36,0	50	o. r.	o. r.	o. r.
920278	920286	M32 x 1,5	29,0	11,5	40,0	25	o. r.	o. r.	o. r.
920279	920287	M40 x 1,5	36,0 / 37,0	13,0	50,0	25	o. r.	o. r.	o. r.
920280	920288	M50 x 1,5	48,0 / 50,0	14,0	65,0	10	o. r.	o. r.	o. r.

Dimensions and specifications may be changed without prior notice.

o. r. = on request

HSSV-ZE Corrugated tubes cable gland with strain relief

Plastic male thread



Conduit gland HSSV with strain relief

Combined quick-insert cable glands for a reliable, quick connection. Suitable for parallel-corrugated HELUcond protection tubes.

Application

- Plant and machine construction
- Robotics
- Automation technology
- Vehicle construction and shipbuilding
- Railway technology
- Installation technology
- Control cabinet construction

Material

Polyamide PA 6

- halogen-free
- cadmium-free

Properties

Resistant to a multitude of

- Fuels
- Mineral oils
- Greases
- Weak bases
- Weak acids

Note

Threaded connection:
metric to EN 60423
Each unit includes 1 safety opener

Technical data

Protection class by tube: IP 65

Temperature range: -25°C up to +100°C

Metric thread

Part no. grey	Part no. black	Size	Suitable for tube ND	Thread length mm	Unit	Net EUR/100 items at a purchase of		
						up to 100	101 - 500	501 - 1000
903459	903466	M16 x 1,5	10,0	7,5	50	o. r.	o. r.	o. r.
903460	903467	M16 x 1,5	12,0	7,5	50	o. r.	o. r.	o. r.
903461	903468	M20 x 1,5	17,0	8,5	50	o. r.	o. r.	o. r.
903462	903469	M25 x 1,5	23,0	10,5	50	o. r.	o. r.	o. r.
903463	903470	M32 x 1,5	29,0	10,5	25	o. r.	o. r.	o. r.

Dimensions and specifications may be changed without prior notice.

o. r. = on request

HSSV combination Corrugated tubes cable gland



Conduit gland HSSV, combined

Combined with brass cable gland.
Combined quick-insert cable glands with single sealing insert for a reliable, quick connection.
Suitable for parallel-corrugated HELUcond protection tubes.

Application

- Plant and machine construction
- Robotics
- Automation technology
- Vehicle construction and shipbuilding
- Railway technology
- Installation technology
- Control cabinet construction

Material

Flammability acc. to UL 94: V0

- halogen-free
- cadmium-free

Properties

Resistant to a multitude of

- Fuels
- Mineral oils
- Greases
- Weak bases
- Weak acids

Note

Protection classification on cable with UNI-DICHT sealing insert:

- with colour-coded sealing insert: IP 68 - 10 bar in indicated clamping area with multiple sealing inserts to IP 65 and/or IP 68, when bore diameter in seal insert and cable diameter are identical

Threaded connection:

Metric to EN 60423

Each unit includes 1 safety opener

Gland also available with PG thread on request.

Suitable UNI-DICHT sealing inserts are detailed in Section "Cable glands".

Technical data

Protection class by tube: IP 65

Temperature range: -40°C up to +110°C

Metric thread

Part no. grey	Part no. black	Size	Suitable for tube ND	Thread length mm	Unit	Net EUR/100 items at a purchase of		
						up to 100	101 - 500	501 - 1000
920289	920294	M16 x 1,5	10,0	6,0	50	o. r.	o. r.	o. r.
920290	920295	M20 x 1,5	16,0 / 17,0	6,0	50	o. r.	o. r.	o. r.
920291	920296	M25 x 1,5	16,0 / 17,0	6,5	50	o. r.	o. r.	o. r.
920292	920297	M32 x 1,5	21,0 / 23,0	7,0	25	o. r.	o. r.	o. r.
920293	920298	M40 x 1,5	29,0	8,0	25	o. r.	o. r.	o. r.

Dimensions and specifications may be changed without prior notice.

o. r. = on request

HSSV IP68 Corrugated tubes conduit gland - straight

Plastic male thread



HSSV gland straight IP 68

Quick-insert glands for a reliable, quick connection.

Suitable for parallel-corrugated HELUcond protection tubes.

Application

- Plant and machine construction
- Robotics
- Automation technology
- Vehicle construction and shipbuilding
- Installation technology
- Control cabinet construction

Material

Polyamide PA 6

- halogen-free
- cadmium-free

Properties

Resistant to a multitude of

- Fuels
- Mineral oils
- Greases
- Weak bases
- Weak acids

Note

Interior seal made of TPE.

Threaded connection:

Metric to EN 60423

Each unit includes 1 safety opener

Technical data

Protection class: IP 68

Temperature range: -40°C up to +110°C

Metric thread

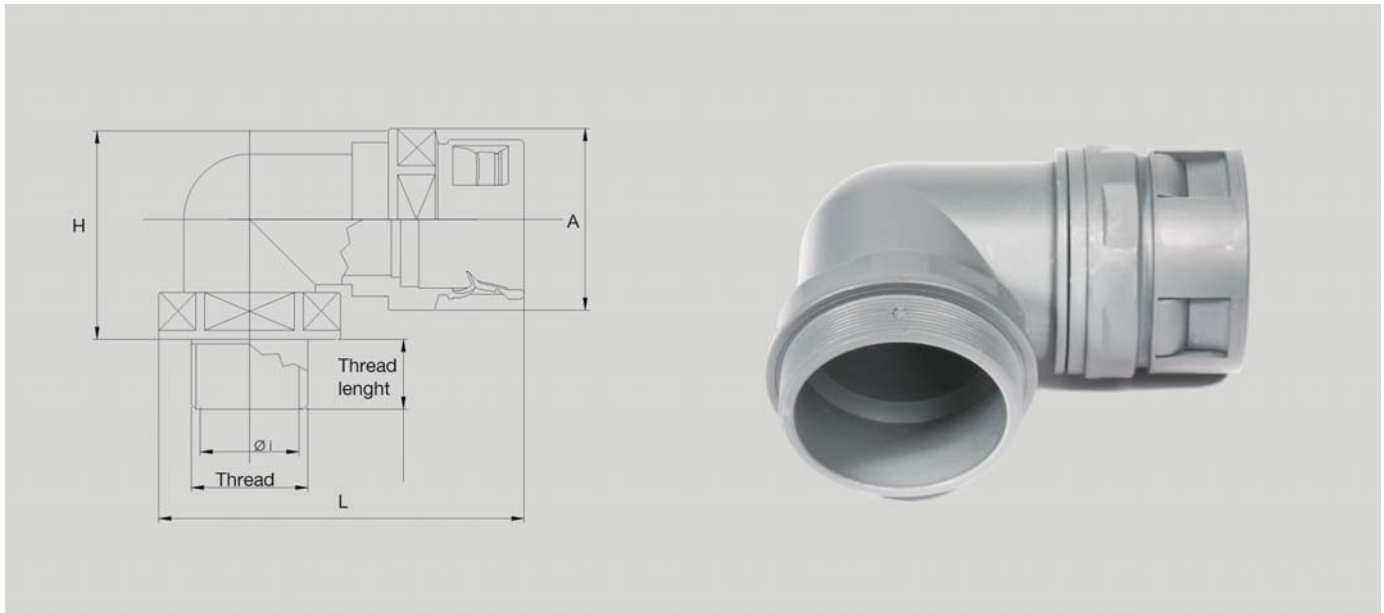
Part no. grey	Part no. black	Size Metric	Suitable for ND	Thread length mm	Spanner size mm	Unit	Net EUR/100 items at a purchase of		
							up to 100	101 - 500	501 - 1000
920404	920413	M12 x 1,5	10,0	8,9	19,0	50	o. r.	o. r.	o. r.
920405	920414	M16 x 1,5	10,0	9,3	19,0	50	o. r.	o. r.	o. r.
920406	920415	M16 x 1,5	12,0	8,6	21,0	50	o. r.	o. r.	o. r.
920407	920416	M20 x 1,5	16,0 / 17,0	13,0	27,0	50	o. r.	o. r.	o. r.
920408	920417	M25 x 1,5	21,0 / 23,0	14,3	36,0	50	o. r.	o. r.	o. r.
920409	920418	M32 x 1,5	29,0	14,2	40,0	25	o. r.	o. r.	o. r.
920410	920419	M40 x 1,5	36,0 / 37,0	15,0	50,0	25	o. r.	o. r.	o. r.
920411	920420	M50 x 1,5	48,0 / 50,0	15,5	65,0	10	o. r.	o. r.	o. r.
920412	920421	M63 x 1,5	48,0 / 50,0	15,5	65,0	5	o. r.	o. r.	o. r.

Dimensions and specifications may be changed without prior notice.

o. r. = on request

HSSV IP68 Corrugated tubes conduit gland - elbow 90°

Plastic male thread



Conduit gland HSSV 90° IP 68

Quick-insert glands for a reliable, quick connection.
Suitable for parallel-corrugated HELUcond protection.

Application

- Plant and machine construction
- Robotics
- Automation technology
- Vehicle construction and shipbuilding
- Railway technology
- Installation technology
- Control cabinet construction

Material

Polyamide PA 6

Flammability acc. to UL 94: V0 tubes.

- halogen-free
- cadmium-free

Properties

Resistant to a multitude of

- Fuels
- Mineral oils
- Greases
- Weak bases
- Weak acids

Note

Interior seal made of TPE.
Threaded connection:
Metric to EN 60423
Each item includes 1 safety opener

Technical data

Protection class: IP 68

Temperature range: -40°C up to +110°C

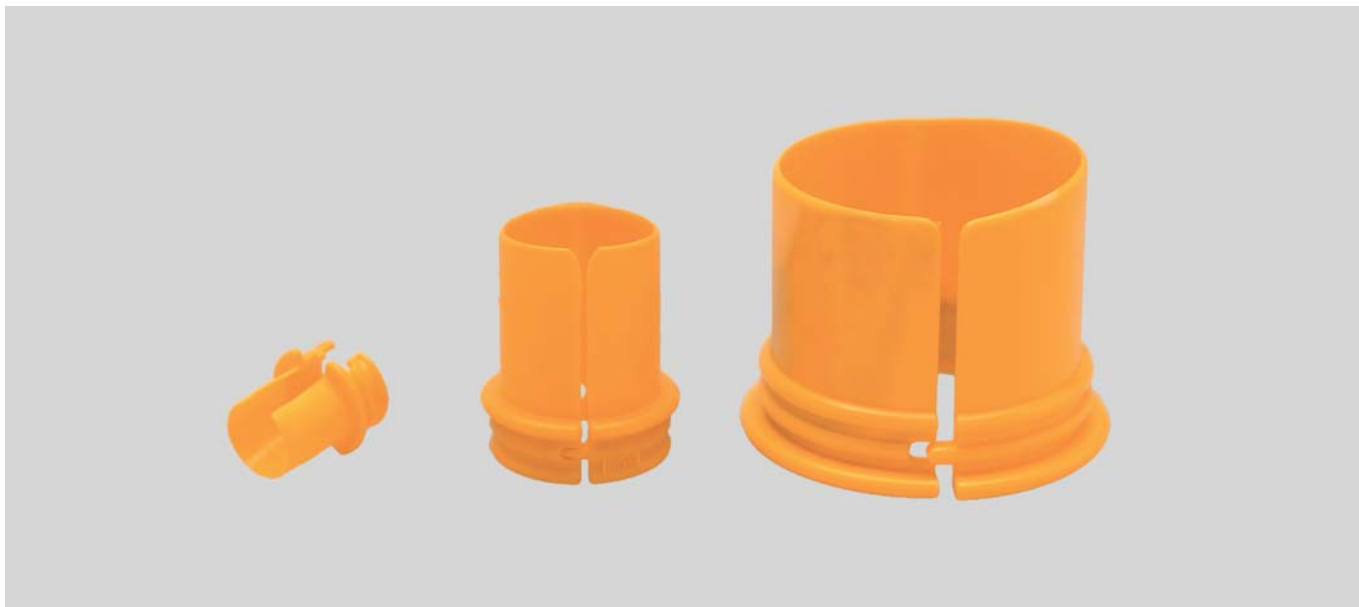
Metric thread

Part no. grey	Part no. black	Size Metric	Suitable for ND	Thread length mm	Unit	Net EUR/ 100 items at a purchase of		
						up to 100	101 - 500	501 - 1000
920422	920431	M12 x 1,5	10,0	9,5	50	o. r.	o. r.	o. r.
920423	920432	M16 x 1,5	10,0	9,0	50	o. r.	o. r.	o. r.
920424	920433	M16 x 1,5	12,0	8,0	50	o. r.	o. r.	o. r.
920425	920434	M20 x 1,5	17,0	10,5	50	o. r.	o. r.	o. r.
920426	920435	M25 x 1,5	21,0 / 23,0	14,8	50	o. r.	o. r.	o. r.
920427	920436	M32 x 1,5	29,0	13,8	25	o. r.	o. r.	o. r.
920428	920437	M40 x 1,5	36,0 / 37,0	15,6	25	o. r.	o. r.	o. r.
920429	920438	M50 x 1,5	48,0 / 50,0	16,0	10	o. r.	o. r.	o. r.
920430	920439	M63 x 1,5	48,0 / 50,0	15,5	5	o. r.	o. r.	o. r.

Dimensions and specifications may be changed without prior notice.

o. r. = on request

HSSV Opener



HSSV opener

To open HSSV conduit glands. Simply slip over the conduit - press against the gland - open detent.

Material

Polyamide PA 6

Technical data

Temperature range: -20°C up to +100°C

Note

Colour: yellow

Part no.	Suitable for ND	Unit	Net EUR/100 items at a purchase of		
			1	2 - 5	6 - 10
99891	7,5	10	o. r.	o. r.	o. r.
99892	10,0	10	o. r.	o. r.	o. r.
99893	12,0	10	o. r.	o. r.	o. r.
98744	17,0	10	o. r.	o. r.	o. r.
98745	23,0	5	o. r.	o. r.	o. r.
99894	29,0	5	o. r.	o. r.	o. r.
99895	37,0	5	o. r.	o. r.	o. r.
99896	50,0	5	o. r.	o. r.	o. r.

Dimensions and specifications may be changed without prior notice.

o. r. = on request

HSSV Outer seal



HSSV outer seals

Outer seal for quick-insert glands. Suitable for HSSV glands.

Material

TPE-V

Properties

Resistant to a multitude of

- Oils
- Solvents
- Chemicals

Note

- HSSV + outer seal: IP 66

Technical data

Temperature range: -40°C up to +110°C

Grey					
Part no.	Suitable for ND	Unit	Net EUR/100 items at a purchase of		
grey			up to 100	101 - 500	501 - 1000
920307	7,5	50	o. r.	o. r.	o. r.
920308	10,0	50	o. r.	o. r.	o. r.
920309	12,0	50	o. r.	o. r.	o. r.
920310	17,0	50	o. r.	o. r.	o. r.
920311	23,0	50	o. r.	o. r.	o. r.
920312	29,0	25	o. r.	o. r.	o. r.
920313	37,0	25	o. r.	o. r.	o. r.
920314	50,0	10	o. r.	o. r.	o. r.

Black					
Part no.	Suitable for ND	Unit	Net EUR/100 items at a purchase of		
black			up to 100	101 - 500	501 - 1000
920315	7,5	50	o. r.	o. r.	o. r.
920316	10,0	50	o. r.	o. r.	o. r.
920317	12,0	50	o. r.	o. r.	o. r.
920318	17,0	50	o. r.	o. r.	o. r.
920319	23,0	50	o. r.	o. r.	o. r.
920320	29,0	25	o. r.	o. r.	o. r.
920321	37,0	25	o. r.	o. r.	o. r.
920322	50,0	10	o. r.	o. r.	o. r.

Dimensions and specifications may be changed without prior notice.

o. r. = on request

HSSV-KF Collapsible flange gland



HSSV-KF Collapsible flange gland

Opening flange angle for connection glands or cable glands.

- Flange angle opened to enable simple insertion of pre-assembled cables
- Simple assembly
- Highly stable

Material

Polyamide PA 6

Flammability acc. to UL 94: V0

- halogen-free
- cadmium-free

Properties

Resistant to a multitude of

- Fuels
- Mineral oils
- Greases
- Weak bases
- Weak acids

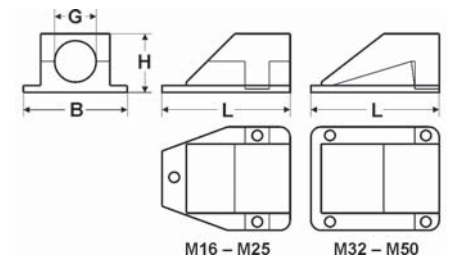
Note

- UR-tested
- Threaded connection metric to EN 60423

Technical data

Protection class: IP 65

Temperature range: -40°C up to +110°C
Temperature range temporary up to +140°C



Dimensions

G Thread size inside
H Height
B Width
L Length

Metric thread - female

Part no. grey	Part no. black	Size metr. inside	Height mm	Width mm	Length mm	Unit	Net EUR/100 items at a purchase of		
							up to 100	101 - 500	501 - 1000
920507	920513	M16 x 1,5	35	47	49	10	o. r.	o. r.	o. r.
920508	920514	M20 x 1,5	35	47	49	10	o. r.	o. r.	o. r.
920509	920515	M25 x 1,5	44	65	69	10	o. r.	o. r.	o. r.
920510	920516	M32 x 1,5	55	78	90	10	o. r.	o. r.	o. r.
920511	920517	M40 x 1,5	66	94	99	10	o. r.	o. r.	o. r.
920512	920518	M50 x 1,5	76	101	116	10	o. r.	o. r.	o. r.

Dimensions and specifications may be changed without prior notice.

o. r. = on request

SH, SHV Corrugated tube holder

System holder



SH, SHV- system holder

System holder for HELUcond protection tubes. Universal system holder with optional clips for extreme loads. Quick assembly through single-hole fastening.

Application

- Plant and machine construction
- Robotics
- Automation technology
- Vehicle construction and shipbuilding
- Railway technology
- Installation technology
- Control cabinet construction

Material

Polyamide PA 6

Flammability acc. to UL 94

- halogen-free

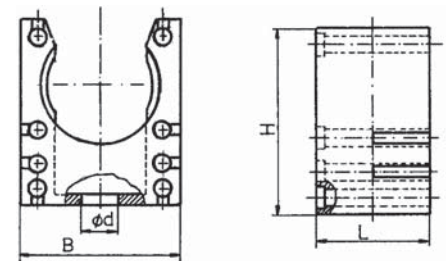
Properties

Resistant to a multitude of

- Fuels
- Mineral oils
- Greases
- Weak bases
- Weak acids

Technical data

Temperature range: -40°C up to +110°C



SH holder

Part no. grey	Part no. black	Suitable for tube ND mm	Width mm	Height mm	Unit	Net EUR/100 items at a purchase of		
						up to 100	101 - 500	501 - 1000
94663	99270	7,0	20,0	18,0	100	o. r.	o. r.	o. r.
94664	99271	10,0	20,0	23,0	100	o. r.	o. r.	o. r.
94665	99272	12,0	22,0	26,0	50	o. r.	o. r.	o. r.
920323	920324	14,0	28,0	33,0	50	o. r.	o. r.	o. r.
94666	99273	17,0	28,0	33,0	50	o. r.	o. r.	o. r.
94667	99274	23,0	35,0	40,0	50	o. r.	o. r.	o. r.
94668	99275	29,0	43,0	45,0	30	o. r.	o. r.	o. r.
94669	99276	36,0	54,0	53,0	20	o. r.	o. r.	o. r.
94670	99277	48,0	68,0	66,0	20	o. r.	o. r.	o. r.

SHV holder with rotary protection

Part no. grey	Part no. black	Suitable for tube ND mm	Width mm	Height mm	Unit	Net EUR/100 items at a purchase of		
						up to 100	101 - 500	501 - 1000
920325	920330	16/17	28,0	33,0	50	o. r.	o. r.	o. r.
920326	920331	21/23	35,0	40,0	50	o. r.	o. r.	o. r.
920327	920332	29,0	43,0	45,0	30	o. r.	o. r.	o. r.
920328	920333	36/37	54,0	53,0	20	o. r.	o. r.	o. r.
920329	920334	48/50	68,0	66,0	20	o. r.	o. r.	o. r.

Dimensions and specifications may be changed without prior notice.

o. r. = on request

USH Corrugated tube holder

With flange pipe holder



USH

Tube holder for HELUcond protection tube. Universal, high-strength tube holder with double struts. Fastening bores suitable for horizontal and vertical rail systems in control cabinet.

Application

- Plant and machine construction
- Robotics
- Automation technology
- Vehicle construction and shipbuilding
- Railway technology
- Installation technology
- Control cabinet construction

Material

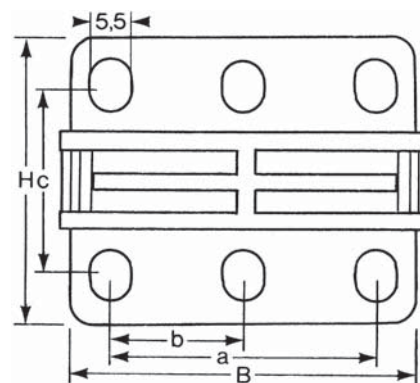
Polycarbonate

Flammability acc. to UL 94

- halogen-free
- phosphor-free
- cadmium-free

Technical data

Temperature range: -30°C up to +100°C



USH with flange pipe holder

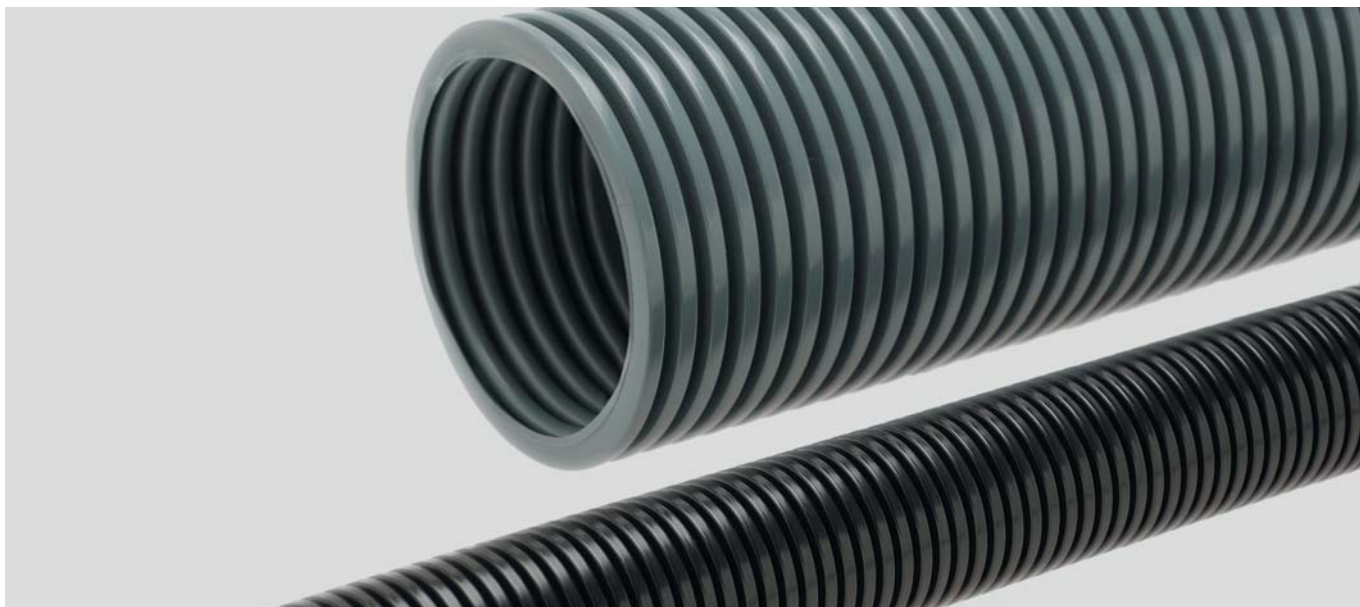
Part no. grey	Part no. black	Suitable for tube with outer Ø	Width mm	Height mm	Unit	Net EUR/100 items at a purchase of		
						up to 100	101 - 500	501 - 1000
91200	93497	21,0	38,0	40,0	50	o. r.	o. r.	o. r.
91201	93498	28,5	38,0	40,0	50	o. r.	o. r.	o. r.
91202	93499	34,5	46,0	48,0	50	o. r.	o. r.	o. r.
91203	93507	42,5	52,0	59,0	50	o. r.	o. r.	o. r.
91204	93508	54,5	68,0	77,0	50	o. r.	o. r.	o. r.

Dimensions and specifications may be changed without prior notice.

o. r. = on request

JUMBO PA6 **oversize corrugated tubes, polyamide**

For heavy-duty mechanical applications



JUMBO PA6

Cable protection tube for medium to heavy-duty applications.

Capacity/100mm: approx. 1200 N / 800 N

Application

- Plant and machine construction
- Robotics
- Automation technology
- Vehicle construction and shipbuilding
- Railway technology
- Installation technology
- Control cabinet construction

Material

Mod. Polyamide PA 6

Flammability acc. to UL 94: V0

- halogen-free
- cadmium-free

Properties

Resistant to a multitude of

- Fuels
- Mineral oils
- Greases
- Weak bases
- Weak acids

Note

Suitable connection glands:

JUMBO gland

Bending behaviour: very good

Technical data

Temperature range: -40°C up to +140°C

Temperature range temporary up to +160°C

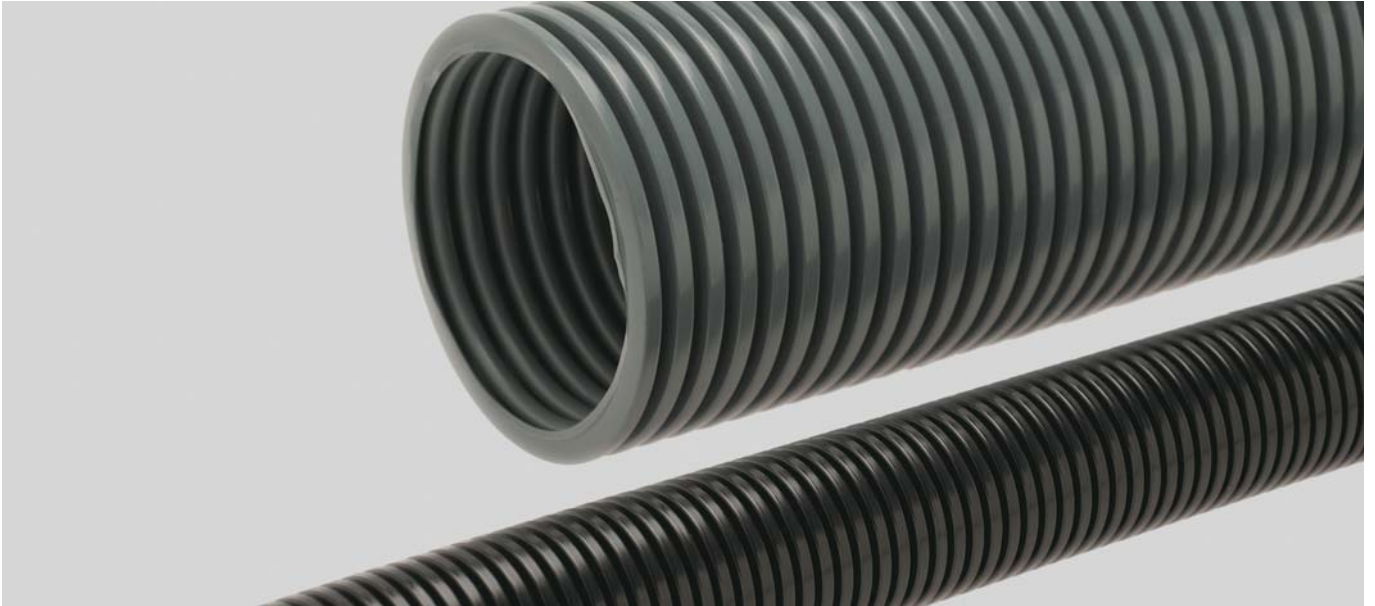
Part no. grey	Part no. black	Nominal size mm	Inner Ø mm	Outer Ø mm	Bending radius mm	Per metres	Net EUR/100 metres at a purchase of		
							up to 100	101 - 500	501 - 1000
90408	91362	70	66,2	79,0	160,0	10	o. r.	o. r.	o. r.
90409	91363	95	88,5	105,2	200,0	10	o. r.	o. r.	o. r.

Dimensions and specifications may be changed without prior notice.

o. r. = on request

JUMBO PA12 Oversize corrugated tubes, polyamide PA12

For heavy-duty mechanical applications



JUMBO PA12

Cable protection tube for heavy-duty applications.

Capacity/100mm: approx. 700 N / 800 N

Application

- Robotics
- Handling systems
- Vehicle construction
- Drag chains

Material

Mod. Polyamide 12

Flammability acc. to UL 94: V0

- halogen-free
- cadmium-free

Properties

Resistant to a multitude of

- Fuels
- Mineral oils
- Greases
- Weak bases
- Weak acids

Note

Suitable connection glands:

JUMBO gland

Bending behaviour: very good

Technical data

Temperature range: -50°C up to +120°C

Temperature range temporary up to +150°C

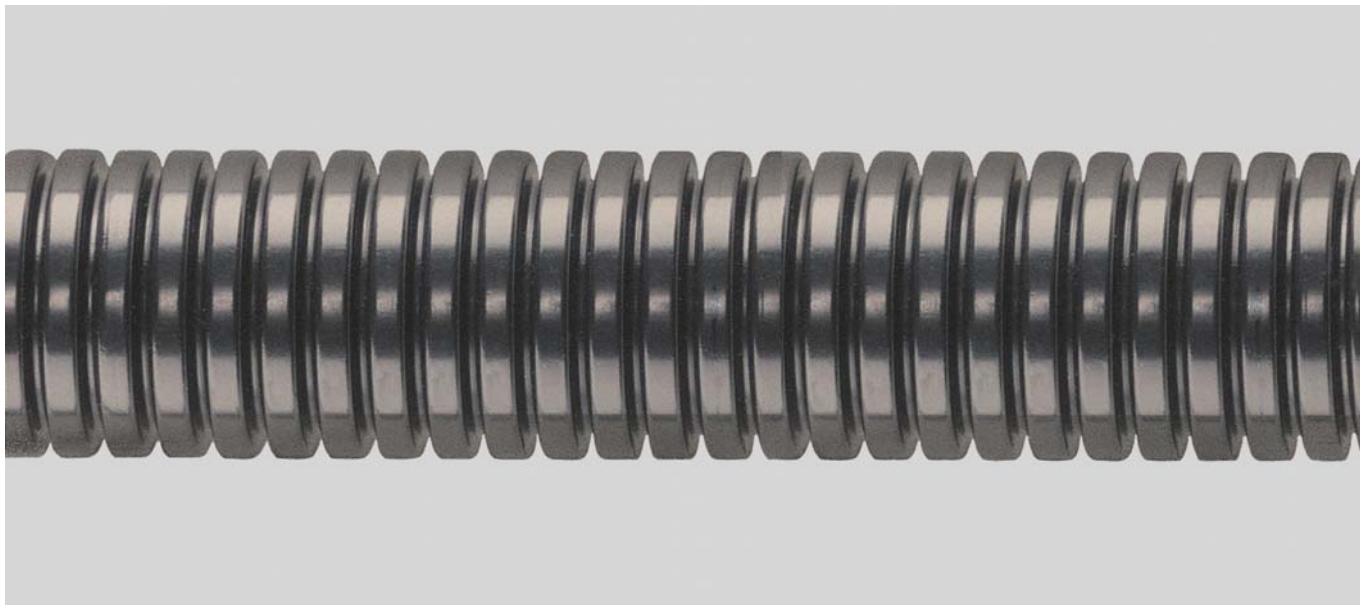
Part no. grey	Part no. black	Nominal size mm	Inner Ø mm	Outer Ø mm	Bending radius mm	Per metres	Net EUR/100 metres at a purchase of		
							up to 100	101 - 500	501 - 1000
920378	920380	70	66,6	80,0	200,0	10	o. r.	o. r.	o. r.
920379	920381	95	91,0	106,0	265,0	10	o. r.	o. r.	o. r.

Dimensions and specifications may be changed without prior notice.

o. r. = on request

JUMBO PUR oversize corrugated tubes, polyurethane

For maximum mechanical applications



JUMBO PUR

Cable protection tube for maximum duty robot applications.

- Lowest cost quality
 - High abrasion resistance
- Capacity/100mm: approx. 500 N / 800 N

Application

- Robotics
- Handling systems
- Vehicle construction
- Drag chains

Material

Mod. Polyurethane PUR

Flammability acc. to UL 94: HB

- halogen-free
- cadmium-free

Properties

Resistant to a multitude of

- Fuels
- Mineral oils
- Greases
- Weak bases
- Weak acids

Note

Suitable connection glands:
JUMBO gland
Bending behaviour: very good

Technical data

Temperature range: -40°C up to +125°C
Temperature range temporary up to +140°C

Part no. black	Nominal size mm	Inner Ø mm	Outer Ø mm	Bending radius mm	Per metres	Net EUR/ 100 metres at a purchase of		
						up to 100	101 - 500	501 - 1000
920382	70	66,5	79,9	160,0	10	o. r.	o. r.	o. r.
920383	95	91,0	105,9	210,0	10	o. r.	o. r.	o. r.

Dimensions and specifications may be changed without prior notice.

o. r. = on request

JUMBO-FP Flange connection



JUMBO-FP

One-piece straight flange connection. Suitable for parallel-coiled JUMBO protection tubes.

Application

- Plant and machine construction
- Robotics
- Automation technology
- Vehicle construction and shipbuilding
- Railway technology
- Installation technology
- Control cabinet construction

Material

Polyamide PA 6

Flammability acc. to UL 94: V0

- halogen-free
- cadmium-free

Properties

Resistant to a multitude of

- Fuels
- Mineral oils
- Greases
- Weak bases
- Weak acids

Note

Additional seal increases protection classification to IP 65

JUMBO sealing set:

Set contains 1 x o-ring and 1 x cellular rubber seal

Technical data

Protection class: IP 54

Temperature range: -40°C up to +115°C

Flange connection

Part no. grey	Part no. black	Suitable for ND	Unit	Net EUR/100 items at a purchase of		
				up to 100	101 - 500	501 - 1000
90402	920368	70,0	1	o. r.	o. r.	o. r.
90403	920369	95,0	1	o. r.	o. r.	o. r.

Sealing set

Part no.	Colour	Suitable for ND	Unit	Net EUR/100 items at a purchase of		
				up to 100	101 - 500	501 - 1000
90406	black	70,0	1	o. r.	o. r.	o. r.
90407	black	95,0	1	o. r.	o. r.	o. r.

Dimensions and specifications may be changed without prior notice.

o. r. = on request

JUMBO-WFP Flange connection angled 90°



JUMBO-WFP

One-piece flange connection, 90° angle. Suitable for parallel corrugated HELUcond Jumbo protection tubes.

Application

- Plant and machine construction
- Robotics
- Automation technology
- Vehicle construction and shipbuilding
- Railway technology
- Installation technology
- Control cabinet construction

Material

Polyamide PA 6

Flammability acc. to UL 94: V0

- halogen-free
- cadmium-free

Properties

Resistant to a multitude of

- Fuels
- Mineral oils
- Greases
- Weak bases
- Weak acids

Note

Additional seal increases protection classification to IP 65.

JUMBO sealing set:

Set contains 1 x o-ring and 1 x cellular rubber seal.

Technical data

Protection class: IP 54

Temperature range: -40°C up to +115°C

Flange connection – angled 90°

Part no. grey	Part no. black	Suitable for ND	Unit	Net EUR/100 items at a purchase of		
				up to 100	101 - 500	501 - 1000
90404	920372	70,0	1	o. r.	o. r.	o. r.
90405	920373	95,0	1	o. r.	o. r.	o. r.

Sealing set

Part no.	Colour	Suitable for ND	Unit	Net EUR/100 items at a purchase of		
				up to 100	101 - 500	501 - 1000
90406	black	70,0	1	o. r.	o. r.	o. r.
90407	black	95,0	1	o. r.	o. r.	o. r.

Dimensions and specifications may be changed without prior notice.

o. r. = on request

HELUcond CO-PA Corrugated tubes, polyamide

Dividable



HELUcond CO-PA

The dividable and reclosable cable protection tube for subsequent mechanical protection.

- Trouble-free retrofitting
- High mechanical strength
- Simple installation of pre-fabricated cables
- Repair of existing systems

Application

- Plant and machine construction
- Automation technology
- Vehicle construction and shipbuilding
- Railway technology
- Installation technology
- Control cabinet construction

Material

Polyamide 6
UV-resistant

Flammability acc. to UL 94: HB

- halogen-free

Properties

Resistant to a multitude of:

- Fuels
- Mineral oils
- Greases
- Weak bases
- Weak acids

Note

Suitable connection glands:
COV

Technical data

Temperature range: -40°C up to +120°C
Temperature range temporary up to +150°C

Part no. black	Nominal size mm	Inner Ø mm	Outer Ø mm	Per metres	Net EUR/ 100 metres at a purchase of		
					up to 100	101 - 500	501 - 1000
90061	10,0	8,8	13,5	50	o. r.	o. r.	o. r.
90062	14,0	13,2	18,7	50	o. r.	o. r.	o. r.
90063	20,0	20,2	25,7	50	o. r.	o. r.	o. r.
90064	23,0	23,9	31,3	50	o. r.	o. r.	o. r.
90065	37,0	32,5	43,2	25	o. r.	o. r.	o. r.
90066	45,0	43,1	54,2	25	o. r.	o. r.	o. r.
920179	70,0	67,0	79,8	10	o. r.	o. r.	o. r.

Dimensions and specifications may be changed without prior notice.

o. r. = on request

HELUcond CO-PP Corrugated tubes, polypropylene

Dividable



HELUcond CO-PP

The dividable and reclosable cable protection tube for subsequent mechanical protection.

- Trouble-free retrofitting
- High mechanical strength
- Simple installation of pre-fabricated lines
- Repair of existing systems

Application

- Plant and machine construction
- Automation technology
- Vehicle construction and shipbuilding
- Railway technology
- Installation technology
- Control cabinet construction

Material

Polypropylene

Flammability acc. to UL 94: HB

- halogen-free

Properties

Resistant to a multitude of

- Fuels
- Mineral oils
- Greases
- Weak bases
- Weak acids

Note

Suitable connection glands:
COV

Technical data

Temperature range: -40°C up to +135°C
Temperature range temporary up to +150°C

Part no. black	Nominal size mm	Inner Ø mm	Outer Ø mm	Per metres	Net EUR/100 metres at a purchase of		
					up to 100	101 - 500	501 - 1000
97496	10,0	8,4	13,4	50	o. r.	o. r.	o. r.
97134	14,0	12,5	18,5	50	o. r.	o. r.	o. r.
97135	20,0	19,2	25,3	50	o. r.	o. r.	o. r.
97205	23,0	23,4	30,8	50	o. r.	o. r.	o. r.
96732	37,0	31,0	41,4	25	o. r.	o. r.	o. r.
90054	45,0	42,7	54,0	25	o. r.	o. r.	o. r.
920180	70,0	67,5	79,8	10	o. r.	o. r.	o. r.

Dimensions and specifications may be changed without prior notice.

o. r. = on request

COV Corrugated tubes-conduit gland

Dividable



COV tube gland

Tube gland for HELUcond CO protection tubes. Axial fold-up and reclosable connection gland with integrally moulded rods. Split nut with safety lock to prevent accidental opening.

Application

- Plant and machine construction
- Robotics
- Automation technology
- Vehicle construction and shipbuilding
- Railway technology
- Installation technology
- Control cabinet construction

Material

Polyamide PA 6

Flammability acc. to UL 94: HB

- halogen-free

Properties

Resistant to a multitude of

- Fuels
- Mineral oils
- Greases
- Weak bases
- Weak acids

Technical data

Protection class: IP 43 without sealing

Temperature range: -40°C up to +125°C
Temperature range temporary up to +150°C

Metric thread - dividable conduit gland

Part no. black	Size Metric	Suitable for ND	Thread length mm	Spanner size mm	Unit	Net EUR/ 100 items at a purchase of		
						up to 100	101 - 500	501 - 1000
905031	M16 x 1,5	10,0	11,0	19,0	100	o. r.	o. r.	o. r.
905032	M20 x 1,5	14,0	11,0	27,0	100	o. r.	o. r.	o. r.
905033	M25 x 1,5	20,0	12,0	30,0	50	o. r.	o. r.	o. r.
905034	M32 x 1,5	23,0	15,0	36,0	50	o. r.	o. r.	o. r.
905035	M40 x 1,5	37,0	19,0	46,0	25	o. r.	o. r.	o. r.
905036	M50 x 1,5	45,0	19,0	55,0	25	o. r.	o. r.	o. r.

Metric thread - dividable counter nut

Part no. black	Size Metric	Suitable for ND	Thread length mm	Spanner size mm	Unit	Net EUR/ 100 items at a purchase of		
						up to 100	101 - 500	501 - 1000
905037	M16 x 1,5	10,0	8,0	19,0	100	o. r.	o. r.	o. r.
905038	M20 x 1,5	14,0	8,0	27,0	100	o. r.	o. r.	o. r.
905039	M25 x 1,5	20,0	9,0	30,0	50	o. r.	o. r.	o. r.
905040	M32 x 1,5	23,0	12,0	36,0	50	o. r.	o. r.	o. r.
905041	M40 x 1,5	37,0	15,0	46,0	25	o. r.	o. r.	o. r.
905042	M50 x 1,5	45,0	15,0	55,0	25	o. r.	o. r.	o. r.

PG thread - dividable conduit gland wit counter nut

Part no. black	Size PG	Suitable for ND	Thread length mm	Spanner size mm	Unit	Net EUR/ 100 items at a purchase of		
						up to 100	101 - 500	501 - 1000
93514	9	10,0	12,0	22,0	100	o. r.	o. r.	o. r.
93515	13,5	14,0	17,0	30,0	100	o. r.	o. r.	o. r.
93516	21	20,0	17,0	36,0	50	o. r.	o. r.	o. r.
93517	29	23,0	21,0	46,0	50	o. r.	o. r.	o. r.
93518	29	37,0	22,0	55,0	25	o. r.	o. r.	o. r.

Dimensions and specifications may be changed without prior notice.

o. r. = on request

COS Corrugated tubes holder

For dividable corrugated tubes



Tubing clamp COS

Tube holder for dividable HELUcond CO protection tube

- Quick fastening with integrated rib, which also fixes the protection tube in an axial direction

Application

- Plant and machine construction
- Robotics
- Automation technology
- Vehicle construction and shipbuilding
- Railway technology
- Installation technology
- Control cabinet construction

Material

Polyamide PA 6

Flammability acc. to UL 94

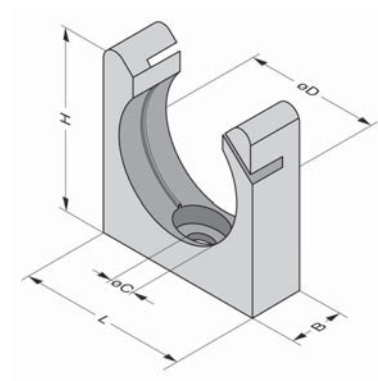
- halogen-free
- cadmium-free

Properties

- Resistant to a multitude of fuels, mineral oils, greases, weak bases, weak acids

Technical data

Temperature range: -40°C up to +120°C
Temperature range temporary up to +140°C

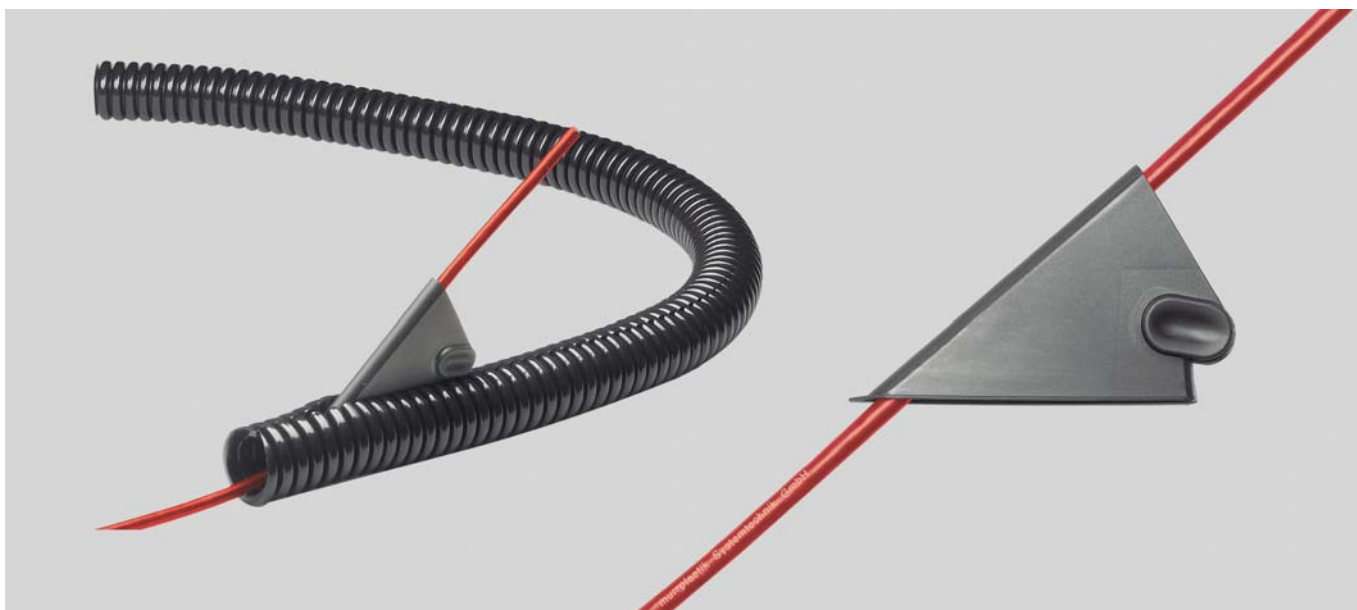


Part no. black	Suitable for tube ND mm	Width mm	Height mm	Unit	Net EUR/ 100 items at a purchase of		
					up to 100	101 - 500	501 - 1000
920375	10,0	20,0	23,0	100	o. r.	o. r.	o. r.
920357	14,0	20,0	27,0	100	o. r.	o. r.	o. r.
920358	20,0	20,0	40,0	50	o. r.	o. r.	o. r.
920359	23,0	20,0	45,0	50	o. r.	o. r.	o. r.
920360	37,0	20,0	52,0	20	o. r.	o. r.	o. r.
920361	45,0	20,0	66,0	20	o. r.	o. r.	o. r.

Dimensions and specifications may be changed without prior notice.

o. r. = on request

KE Insertion aid



Insertion aid KE

Quick and simple insertion of cables into splitted conduits, resp. cable chain openings

Part no.	Type	Cross-section max. mm ²	Unit	Net EUR/item at a purchase of		
				1	2 - 4	5 - 10
901006	KE	22,0	1	o. r.	o. r.	o. r.

Dimensions and specifications may be changed without prior notice.

o. r. = on request

S Cable protection tube



With integrated PVC sheathed spring steel wire helix



Type S

Cable protection tube type S with integrated spring steel wire, extremely flexible, expandable and compressible.

Application

- Plant and machine construction
- Automation technology
- Installation technology
- Control cabinet construction

Material

PVC

- silicone-free
- cadmium-free

Note

Suitable connection glands:
USK, LK-I, US and LI

Technical data

Temperature range: -25°C up to +80°C
Temperature range temporary up to +100°C

Part no. grey	Inner Ø mm	Outer Ø mm	Per metres	Net EUR/100 metres at a purchase of		
				up to 100	101 - 500	501 - 1000
91219	7,0	10,0	50	o. r.	o. r.	o. r.
91220	10,0	14,0	50	o. r.	o. r.	o. r.
91221	13,0	17,0	50	o. r.	o. r.	o. r.
91222	15,0	19,0	50	o. r.	o. r.	o. r.
91223	16,0	21,0	50	o. r.	o. r.	o. r.
91224	22,0	27,0	50	o. r.	o. r.	o. r.
91225	29,0	36,0	25	o. r.	o. r.	o. r.
91226	38,0	45,0	25	o. r.	o. r.	o. r.
91228	48,0	56,0	25	o. r.	o. r.	o. r.

Small package

Part no. grey	Inner Ø mm	Outer Ø mm	Per metres	Net EUR/100 metres at a purchase of		
				up to 100	101 - 500	501 - 1000
91270	7,0	10,0	10	o. r.	o. r.	o. r.
91271	10,0	14,0	10	o. r.	o. r.	o. r.
91272	13,0	17,0	10	o. r.	o. r.	o. r.
91273	15,0	19,0	10	o. r.	o. r.	o. r.
91274	16,0	21,0	10	o. r.	o. r.	o. r.
91275	22,0	27,0	10	o. r.	o. r.	o. r.
91276	29,0	36,0	10	o. r.	o. r.	o. r.
91277	38,0	45,0	10	o. r.	o. r.	o. r.
91279	48,0	56,0	10	o. r.	o. r.	o. r.

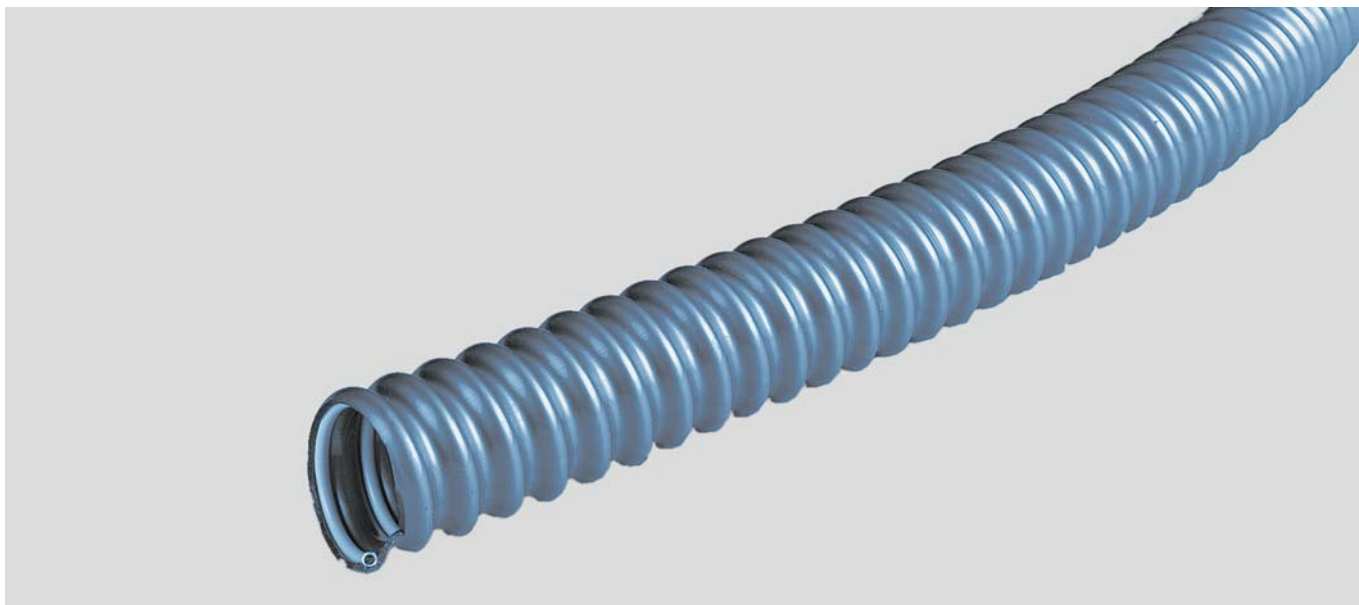
Dimensions and specifications may be changed without prior notice.

o. r. = on request

S-PU Cable protection tube



With integrated PUR sheathed spring steel wire helix



Type S-PU

Cable protection tube type S-PU with PUR outer sheath and integrated spring steel wire, extremely flexible, expandable and compressible.

Application

- Plant and machine construction
- Automation technology
- Installation technology
- Control cabinet construction

Material

Polyurethane
UV-resistant

- halogen-free
- silicone-free
- cadmium-free

Properties

Resistant to

- Oil
- Gasoline
- Microbial attack
- UV-radiation
- Weathering
- Extensively to acids and alkalis

Note

Suitable connection glands:
USK, LKI, US and LI

Technical data

Temperature range: -40°C up to +80°C

Part no. blue	Inner Ø mm	Outer Ø mm	Per metres	Net EUR/100 metres at a purchase of		
				up to 100	101 - 500	501 - 1000
90464	7,0	10,0	50	o. r.	o. r.	o. r.
90465	10,0	14,0	50	o. r.	o. r.	o. r.
90466	13,0	17,0	50	o. r.	o. r.	o. r.
90467	15,0	19,0	50	o. r.	o. r.	o. r.
90468	16,0	21,0	50	o. r.	o. r.	o. r.
90469	21,0	27,0	50	o. r.	o. r.	o. r.
90470	29,0	36,0	25	o. r.	o. r.	o. r.
90471	38,0	45,0	25	o. r.	o. r.	o. r.
90473	48,0	56,0	25	o. r.	o. r.	o. r.

Small package

Part no. blue	Inner Ø mm	Outer Ø mm	Per metres	Net EUR/100 metres at a purchase of		
				up to 100	101 - 500	501 - 1000
94870	7,0	10,0	10	o. r.	o. r.	o. r.
94871	10,0	14,0	10	o. r.	o. r.	o. r.
94872	13,0	17,0	10	o. r.	o. r.	o. r.
94873	15,0	19,0	10	o. r.	o. r.	o. r.
94874	16,0	21,0	10	o. r.	o. r.	o. r.
94875	22,0	27,0	10	o. r.	o. r.	o. r.
94876	29,0	36,0	10	o. r.	o. r.	o. r.
94877	38,0	45,0	10	o. r.	o. r.	o. r.
94879	48,0	56,0	10	o. r.	o. r.	o. r.

Dimensions and specifications may be changed without prior notice.

o. r. = on request

K Cable protection tube

With integrated hard plastic helix



Type K

Cable protection tube with integrated hard plastic winding.

Application

- Plant and machine construction
- Automation technology
- Installation technology
- Control cabinet construction

Material

PVC

- silicone-free
- cadmium-free

Note

Suitable connection glands:
USK, LK-I, US and LI

Technical data

Temperature range: -20°C up to +70°C
Temperature range temporary up to +80°C

Part no. grey	Inner Ø mm	Outer Ø mm	Per metres	Net EUR/100 metres at a purchase of		
				up to 100	101 - 500	501 - 1000
91209	10,0	14,0	50	o. r.	o. r.	o. r.
91210	13,0	17,0	50	o. r.	o. r.	o. r.
91211	15,0	19,0	50	o. r.	o. r.	o. r.
91212	16,0	21,0	50	o. r.	o. r.	o. r.
91213	22,0	27,0	50	o. r.	o. r.	o. r.
91214	30,0	36,0	25	o. r.	o. r.	o. r.
91215	38,0	45,0	25	o. r.	o. r.	o. r.
91216	45,0	52,0	25	o. r.	o. r.	o. r.
91217	49,0	56,0	25	o. r.	o. r.	o. r.

Dimensions and specifications may be changed without prior notice.

o. r. = on request

M Metal cable tube

With Agraff profile



Type M

Spiral wound metallic tube with double-folded profile (Agraff profile).
High tensile and torsional strength.

Material

Cold strip DC 03 acc. to EN 10139, galvanized, Fe/Zn 3
UV-resistant

Technical data

Temperature range: up to +220°C

Application

- Plant and machine construction
- Automation technology
- Installation technology
- Control cabinet construction

Note

Suitable connection glands:
US, LI

Part no.	Inner Ø mm	Outer Ø mm	Per metres	Net EUR/100 metres at a purchase of		
				up to 100	101 - 500	501 - 1000
97014	8,0	10,0	50	o. r.	o. r.	o. r.
97015	12,0	14,0	50	o. r.	o. r.	o. r.
97016	14,0	17,0	50	o. r.	o. r.	o. r.
97017	16,0	19,0	50	o. r.	o. r.	o. r.
97018	18,0	21,0	50	o. r.	o. r.	o. r.
97019	24,0	27,0	50	o. r.	o. r.	o. r.
97020	31,0	36,0	25	o. r.	o. r.	o. r.
97021	40,0	45,0	25	o. r.	o. r.	o. r.
97022	51,0	56,0	25	o. r.	o. r.	o. r.

Dimensions and specifications may be changed without prior notice.

o. r. = on request

SPR-AS Metal cable tube



With latched profile



Type SPR-AS

Spiral wound metal sleeve with hooked profile.
High tensile and transverse pressure load rating.

Material

Cold strip DC 03 acc. to EN 10139, galvanized,
Fe/Zn 3
UV-resistant

Technical data

Temperature range: up to +220°C

Application

- Plant- and machine construction
- Automation and installation technology
- control cabinet construction

Note

Suitable connection glands:
US, LI

Part no.	Inner Ø mm	Outer Ø mm	Per metres	Net EUR/100 metres at a purchase of		
				up to 100	101 - 500	501 - 1000
97023	8,0	10,0	50	o. r.	o. r.	o. r.
97024	11,0	14,0	50	o. r.	o. r.	o. r.
97025	14,0	17,0	50	o. r.	o. r.	o. r.
97026	16,0	19,0	50	o. r.	o. r.	o. r.
97027	18,0	21,0	50	o. r.	o. r.	o. r.
97028	23,0	27,0	50	o. r.	o. r.	o. r.
97029	31,0	36,0	25	o. r.	o. r.	o. r.
97030	40,0	45,0	25	o. r.	o. r.	o. r.
97031	51,0	56,0	25	o. r.	o. r.	o. r.

Small package

Part no.	Inner Ø mm	Outer Ø mm	Per metres	Net EUR/100 metres at a purchase of		
				up to 100	101 - 500	501 - 1000
94880	8,0	10,0	10	o. r.	o. r.	o. r.
94881	11,0	14,0	10	o. r.	o. r.	o. r.
94882	14,0	17,0	10	o. r.	o. r.	o. r.
94883	16,0	19,0	10	o. r.	o. r.	o. r.
94884	18,0	21,0	10	o. r.	o. r.	o. r.
94885	23,0	27,0	10	o. r.	o. r.	o. r.
94886	31,0	36,0	10	o. r.	o. r.	o. r.
94887	40,0	45,0	10	o. r.	o. r.	o. r.
94888	51,0	56,0	10	o. r.	o. r.	o. r.

Dimensions and specifications may be changed without prior notice.

o. r. = on request

SPR-PVC-AS Metal cable tube with plastic sheath



With latched profile



Type SPR-PVC-AS

Spiral wound metallic tube with latched profile and PVC sheath.

Weather-resistant, high tensile and transverse pressure load rating.

Application

- Plant and machine construction
- Automation technology
- Control cabinet construction

Material

Cold strip DC 03 acc. to EN 10139, galvanized, Fe/Zn 3

Outer sheath material: PVC

Technical data

Temperature range: -25°C up to +80°C
Temperature range temporary up to +100°C

Note

Suitable connection glands:
US, LI

Part no. grey	Part no. black	Inner Ø mm	Outer Ø mm	Per metres	Net EUR/100 metres at a purchase of		
					up to 100	101 - 500	501 - 1000
97032	97702	7,0	10,0	50	o. r.	o. r.	o. r.
97033	97685	10,0	14,0	50	o. r.	o. r.	o. r.
97034	97703	13,0	17,0	50	o. r.	o. r.	o. r.
97035	97704	15,0	19,0	50	o. r.	o. r.	o. r.
97036	97705	17,0	21,0	50	o. r.	o. r.	o. r.
97037	97706	22,0	27,0	50	o. r.	o. r.	o. r.
97038	97707	29,0	36,0	25	o. r.	o. r.	o. r.
97039	97708	38,0	45,0	25	o. r.	o. r.	o. r.
97040	97709	49,0	56,0	25	o. r.	o. r.	o. r.

Small package

Part no. grey	Part no. black	Inner Ø mm	Outer Ø mm	Per metres	Net EUR/100 metres at a purchase of		
					up to 100	101 - 500	501 - 1000
94890	94934	7,0	10,0	10	o. r.	o. r.	o. r.
94891	94935	10,0	14,0	10	o. r.	o. r.	o. r.
94892	94936	13,0	17,0	10	o. r.	o. r.	o. r.
94893	94937	15,0	19,0	10	o. r.	o. r.	o. r.
94894	94938	17,0	21,0	10	o. r.	o. r.	o. r.
94895	94939	22,0	27,0	10	o. r.	o. r.	o. r.
94896	94940	29,0	36,0	10	o. r.	o. r.	o. r.
94897	94941	38,0	45,0	10	o. r.	o. r.	o. r.
94898	94942	49,0	56,0	10	o. r.	o. r.	o. r.

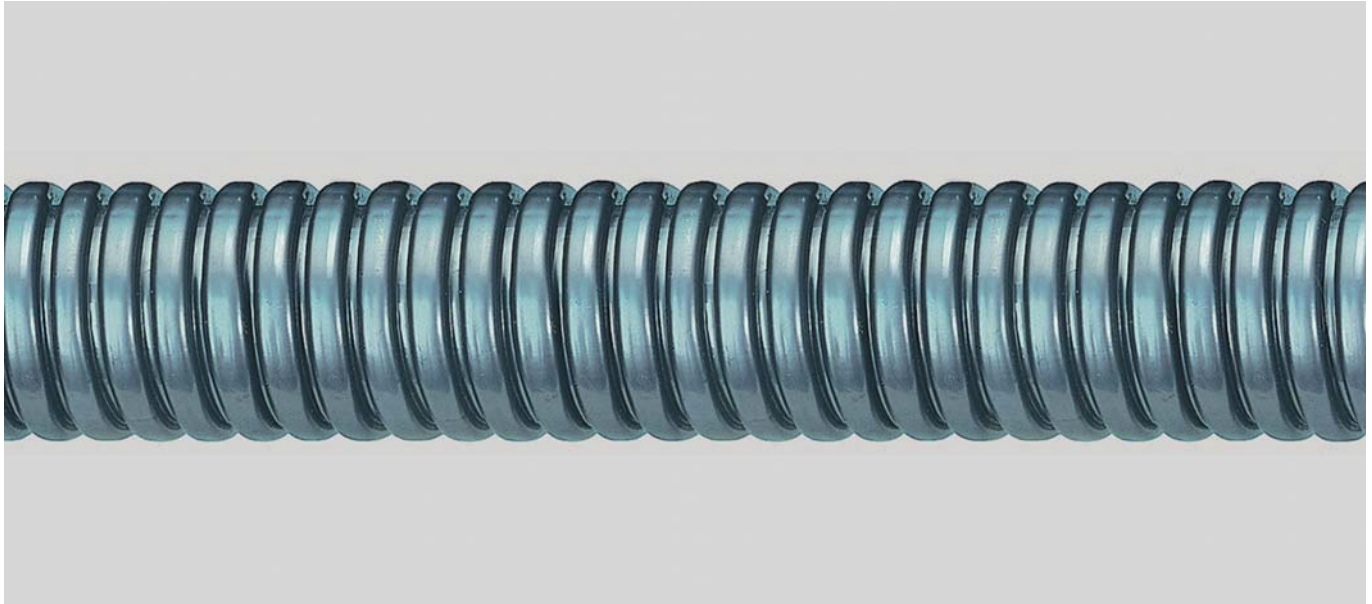
Dimensions and specifications may be changed without prior notice.

o. r. = on request

SPR-PU-AS Metal cable tube with PUR sheath



With latched profile



Type SPR-PU-AS

Spiral wound metallic tube with latched profile and steel wire braiding.
High tensile and transverse pressure load rating.

Application

- Plant and machine construction
- Automation technology
- Installation technology
- Control cabinet construction

Material

Galvanized steel
UV-resistant

Outer sheath material: Polyurethane

Note

Suitable connection glands:
US, LI

Technical data

Temperature range: -40°C up to +80°C

Part no. blue	Inner Ø mm	Outer Ø mm	Per metres	Net EUR/100 metres at a purchase of		
				up to 100	101 - 500	501 - 1000
97793	7,0	10,0	50	o. r.	o. r.	o. r.
97794	10,0	14,0	50	o. r.	o. r.	o. r.
91131	13,0	17,0	50	o. r.	o. r.	o. r.
905912	15,0	19,0	50	o. r.	o. r.	o. r.
94738	17,0	21,0	50	o. r.	o. r.	o. r.
97941	22,0	27,0	50	o. r.	o. r.	o. r.
94739	29,0	36,0	25	o. r.	o. r.	o. r.
94714	38,0	45,0	25	o. r.	o. r.	o. r.
90399	49,0	56,0	25	o. r.	o. r.	o. r.

Dimensions and specifications may be changed without prior notice.

o. r. = on request

SPR-EDU-AS Metal cable tube with steel wire braiding



With latched profile



Type SPR-EDU-AS

Spiral wound metallic tube with latched profile and steel wire braiding.
High tensile and transverse pressure load rating.

Material

Cold strip ST 2 acc. to DIN 1624, galvanized, Fe/Zn 3
UV-resistant

Technical data

Temperature range: up to +220°C

Application

- Plant and machine construction
- Automation technology
- Installation technology
- Control cabinet construction

With steel wire braiding

Note

Suitable connection glands:
US, LI

Part no.	Inner Ø mm	Outer Ø mm	Per metres	Net EUR/100 metres at a purchase of		
				up to 100	101 - 500	501 - 1000
97584	7,0	10,0	50	o. r.	o. r.	o. r.
97585	10,0	14,0	50	o. r.	o. r.	o. r.
97586	13,0	17,0	50	o. r.	o. r.	o. r.
97510	15,0	19,0	50	o. r.	o. r.	o. r.
97377	17,0	21,0	50	o. r.	o. r.	o. r.
97378	22,0	27,0	50	o. r.	o. r.	o. r.
97379	29,0	36,0	25	o. r.	o. r.	o. r.
96784	38,0	45,0	25	o. r.	o. r.	o. r.
97587	49,0	56,0	25	o. r.	o. r.	o. r.

Small package

Part no.	Inner Ø mm	Outer Ø mm	Per metres	Net EUR/100 metres at a purchase of		
				up to 100	101 - 500	501 - 1000
94920	7,0	10,0	10	o. r.	o. r.	o. r.
94921	10,0	14,0	10	o. r.	o. r.	o. r.
94922	13,0	17,0	10	o. r.	o. r.	o. r.
94923	15,0	19,0	10	o. r.	o. r.	o. r.
94924	17,0	21,0	10	o. r.	o. r.	o. r.
94925	22,0	27,0	10	o. r.	o. r.	o. r.
94926	29,0	36,0	10	o. r.	o. r.	o. r.
94927	38,0	45,0	10	o. r.	o. r.	o. r.
94928	49,0	56,0	10	o. r.	o. r.	o. r.

Dimensions and specifications may be changed without prior notice.

o. r. = on request

UI Metal tube, stainless steel

With agraff-profile

EAC



Type UI

Spiral wound tube made by stainless steel with double-folded profile (Agraff profile). High tensile and torsional strength.

Application

- Robotics
- Steel and aluminium foundry industry
- Maschine and apparatus building
- Off-shore-industry
- Security
- Metal, glass and ceramics industry

Material

Stainless steel
UV-resistant

Note

Suitable connection glands:
LT-E-UI

Technical data

Temperature range: -100°C up to +600°C

Part no.	Inner Ø mm	Outer Ø mm	Per metres	Net EUR/100 metres at a purchase of		
				up to 100	101 - 500	501 - 1000
905804	9,5	12,5	30	o. r.	o. r.	o. r.
905805	13,0	16,0	30	o. r.	o. r.	o. r.
905806	17,0	21,0	30	o. r.	o. r.	o. r.
905807	22,0	26,0	30	o. r.	o. r.	o. r.
905808	26,0	30,0	30	o. r.	o. r.	o. r.
905809	34,0	39,0	30	o. r.	o. r.	o. r.
905810	40,3	44,4	15	o. r.	o. r.	o. r.
905811	51,6	55,7	15	o. r.	o. r.	o. r.

Dimensions and specifications may be changed without prior notice.

o. r. = on request

USK Tube connectors, plastic

With high degree of protection



USK

Tube gland for type S, S-PU and K protection tubes.

Material

Polypropylene

Technical data

Protection class: IP 65

Temperature range: -10°C up to +110°C

Application

- Plant and machine construction
- Automation technology
- Installation technology
- Control cabinet construction

Metric thread

Part no. grey	Size Metric	Tube outer Ø mm	Thread length mm	Unit	Net EUR/100 items at a purchase of		
					up to 100	101 - 500	501 - 1000
97594	M10 x 1,0	10,0	10,0	50	o. r.	o. r.	o. r.
97595	M12 x 1,5	14,0	12,0	50	o. r.	o. r.	o. r.
97596	M16 x 1,5	17,0	12,0	50	o. r.	o. r.	o. r.
97597	M20 x 1,5	21,0	13,0	50	o. r.	o. r.	o. r.
97598	M25 x 1,5	27,0	13,0	25	o. r.	o. r.	o. r.
97599	M32 x 1,5	36,0	15,0	25	o. r.	o. r.	o. r.
97600	M40 x 1,5	45,0	15,0	25	o. r.	o. r.	o. r.
97601	M50 x 1,5	56,0	16,0	10	o. r.	o. r.	o. r.

Metric thread - small package

Part no. grey	Size Metric	Tube outer Ø mm	Thread length mm	Unit	Net EUR/100 items at a purchase of		
					up to 100	101 - 500	501 - 1000
93460	M10 x 1,0	10,0	10,0	10	o. r.	o. r.	o. r.
93461	M12 x 1,5	14,0	12,0	10	o. r.	o. r.	o. r.
93462	M16 x 1,5	17,0	12,0	10	o. r.	o. r.	o. r.
93463	M20 x 1,5	21,0	13,0	10	o. r.	o. r.	o. r.
93464	M25 x 1,5	27,0	13,0	10	o. r.	o. r.	o. r.
93465	M32 x 1,5	36,0	15,0	2	o. r.	o. r.	o. r.
93466	M40 x 1,5	45,0	15,0	2	o. r.	o. r.	o. r.
93467	M50 x 1,5	56,0	16,0	2	o. r.	o. r.	o. r.

Continuation ►

USK Tube connectors, plastic

With high degree of protection

PG thread

Part no. grey	Size PG	Tube outer Ø mm	Thread length mm	Unit	Net EUR/100 items at a purchase of		
					up to 100	101 - 500	501 - 1000
90664	7	10,0	10,0	50	o. r.	o. r.	o. r.
90665	9	14,0	10,0	50	o. r.	o. r.	o. r.
90666	11	17,0	10,0	50	o. r.	o. r.	o. r.
90667	13,5	19,0	10,0	50	o. r.	o. r.	o. r.
90668	16	21,0	11,0	50	o. r.	o. r.	o. r.
90669	21	27,0	11,0	25	o. r.	o. r.	o. r.
90670	29	36,0	12,0	25	o. r.	o. r.	o. r.
90671	36	45,0	12,0	25	o. r.	o. r.	o. r.
90673	48	56,0	15,0	10	o. r.	o. r.	o. r.

PG thread - small package

Part no. grey	Size PG	Tube outer Ø mm	Thread length mm	Unit	Net EUR/100 items at a purchase of		
					up to 100	101 - 500	501 - 1000
93450	7	10,0	10,0	10	o. r.	o. r.	o. r.
93451	9	14,0	10,0	10	o. r.	o. r.	o. r.
93452	11	17,0	10,0	10	o. r.	o. r.	o. r.
93453	13,5	19,0	10,0	10	o. r.	o. r.	o. r.
93454	16	21,0	11,0	10	o. r.	o. r.	o. r.
93455	21	27,0	11,0	10	o. r.	o. r.	o. r.
93456	29	36,0	12,0	2	o. r.	o. r.	o. r.
93457	36	45,0	12,0	2	o. r.	o. r.	o. r.
93458	48	56,0	15,0	2	o. r.	o. r.	o. r.

Dimensions and specifications may be changed without prior notice.

o. r. = on request

LK-I Tube connectors, plastic

For flexible use



LK-I

Tube gland for protection tubes type S, S-PU and K.

Material

Polypropylene

Technical data

Protection class: IP 54

Temperature range: -10°C up to +110°C

Application

- Plant and machine construction
- Automation technology
- Installation technology
- Control cabinet construction

Metric thread

Part no. grey	Size Metric	Tube outer Ø mm	Thread length mm	Unit	Net EUR/100 items at a purchase of		
					up to 100	101 - 500	501 - 1000
97602	M12 x 1,5	10,0	10,0	50	o. r.	o. r.	o. r.
97603	M16 x 1,5	14,0	10,0	50	o. r.	o. r.	o. r.
97604	M20 x 1,5	17,0	10,0	50	o. r.	o. r.	o. r.
97605	M25 x 1,5	21,0	11,0	50	o. r.	o. r.	o. r.
97606	M32 x 1,5	27,0	12,0	25	o. r.	o. r.	o. r.
97607	M40 x 1,5	36,0	12,0	25	o. r.	o. r.	o. r.
97608	M50 x 1,5	45,0	12,0	25	o. r.	o. r.	o. r.
97609	M63 x 1,5	56,0	15,0	10	o. r.	o. r.	o. r.

Metric thread - small packages

Part no. grey	Size Metric	Tube outer Ø mm	Thread length mm	Unit	Net EUR/100 items at a purchase of		
					up to 100	101 - 500	501 - 1000
93480	M12 x 1,5	10,0	10,0	10	o. r.	o. r.	o. r.
93481	M16 x 1,5	14,0	10,0	10	o. r.	o. r.	o. r.
93482	M20 x 1,5	17,0	10,0	10	o. r.	o. r.	o. r.
93483	M25 x 1,5	21,0	11,0	10	o. r.	o. r.	o. r.
93484	M32 x 1,5	27,0	12,0	10	o. r.	o. r.	o. r.
93485	M40 x 1,5	36,0	12,0	2	o. r.	o. r.	o. r.
93486	M50 x 1,5	45,0	12,0	2	o. r.	o. r.	o. r.
93487	M63 x 1,5	56,0	15,0	2	o. r.	o. r.	o. r.

Continuation ►

LK-I Tube connectors, plastic

For flexible use

PG thread

Part no. grey	Size PG	Tube outer Ø mm	Thread length mm	Unit	Net EUR/100 items at a purchase of		
					up to 100	101 - 500	501 - 1000
90720	7	10,0	10,0	50	o. r.	o. r.	o. r.
90721	9	14,0	10,0	50	o. r.	o. r.	o. r.
90722	11	17,0	10,0	50	o. r.	o. r.	o. r.
90723	13,5	19,0	10,0	50	o. r.	o. r.	o. r.
90724	16	21,0	11,0	50	o. r.	o. r.	o. r.
90725	21	27,0	11,0	25	o. r.	o. r.	o. r.
90726	29	36,0	12,0	25	o. r.	o. r.	o. r.
90727	36	45,0	12,0	25	o. r.	o. r.	o. r.
90729	48	56,0	15,0	10	o. r.	o. r.	o. r.

PG thread - small packages

Part no. grey	Size PG	Tube outer Ø mm	Thread length mm	Unit	Net EUR/100 items at a purchase of		
					up to 100	101 - 500	501 - 1000
93470	7	10,0	10,0	10	o. r.	o. r.	o. r.
93471	9	14,0	10,0	10	o. r.	o. r.	o. r.
93472	11	17,0	10,0	10	o. r.	o. r.	o. r.
93473	13,5	19,0	10,0	10	o. r.	o. r.	o. r.
93474	16	21,0	11,0	10	o. r.	o. r.	o. r.
93475	21	27,0	11,0	10	o. r.	o. r.	o. r.
93476	29	36,0	12,0	2	o. r.	o. r.	o. r.
93477	36	45,0	12,0	2	o. r.	o. r.	o. r.
93478	48	56,0	15,0	2	o. r.	o. r.	o. r.

Dimensions and specifications may be changed without prior notice.

o. r. = on request

US Tube gland brass nickel plated

With high degree of protection



US

Tube gland for protection tubes type S, S-PU, M, SPR-AS, SPR-PVC-AS, SPR-PU-AS, SPR-EDU-AS.

Material

Brass, nickel plated
Grounding sleeve: Brass, bare
Seal: plastic

Technical data

Temperature range: -25°C up to +100°C

Application

- Plant and machine construction
- Automation technology
- Installation technology
- Control cabinet construction

Note

Protection classification:
IP 65 - type: SPR-PVC-AS, SPR-PU-AS
IP 54 - type: S, S-PU
IP 40 - type: M, SPR-AS, SPR-EDU-AS

Metric thread

Part no. S	Part no. M	Part no. SPR-AS	Part no. SPR-PVC-AS SPR-PU-AS	Part no. SPR-EDU-AS	Size	Tube outer Ø mm	Thread length mm	Unit	Net EUR/100 items at a purchase of		
									up to 100	101 - 500	501 - 1000
98331	98233	98241	98249	905989	M10 x 1,0	10,0	10,0	50	o. r.	o. r.	o. r.
98332	98234	98242	98250	905990	M12 x 1,5	14,0	10,0	50	o. r.	o. r.	o. r.
98333	98235	98243	98251	905991	M16 x 1,5	17,0	10,0	50	o. r.	o. r.	o. r.
98334	98236	98244	98252	905992	M20 x 1,5	21,0	10,0	50	o. r.	o. r.	o. r.
98335	98237	98245	98253	905993	M25 x 1,5	27,0	11,0	25	o. r.	o. r.	o. r.
98336	98238	98246	98254	905994	M32 x 1,5	36,0	13,0	25	o. r.	o. r.	o. r.
98337	98239	98247	98255	905995	M40 x 1,5	45,0	13,0	20	o. r.	o. r.	o. r.
98338	98240	98248	98256	905996	M50 x 1,5	56,0	14,0	10	o. r.	o. r.	o. r.

Metric thread - small package

Part no. S	Part no. M	Part no. SPR-AS	Part no. SPR-PVC-AS SPR-PU-AS	Part no. SPR-EDU-AS	Size Metric	Tube outer Ø mm	Thread length mm	Unit	Net EUR/100 items at a purchase of		
									up to 100	101 - 500	501 - 1000
93530		93570	93590		M10 x 1,0	10,0	10,0	10	o. r.	o. r.	o. r.
93531		93571	93591		M12 x 1,5	14,0	10,0	10	o. r.	o. r.	o. r.
93532		93572	93592		M16 x 1,5	17,0	10,0	10	o. r.	o. r.	o. r.
93533		93573	93593		M20 x 1,5	21,0	10,0	10	o. r.	o. r.	o. r.
93534		93574	93594		M25 x 1,5	27,0	11,0	10	o. r.	o. r.	o. r.
93535		93575	93595		M32 x 1,5	36,0	13,0	2	o. r.	o. r.	o. r.
93536		93576	93596		M40 x 1,5	45,0	13,0	2	o. r.	o. r.	o. r.
93537		93577	93597		M50 x 1,5	56,0	14,0	2	o. r.	o. r.	o. r.

Continuation ►

US Tube gland brass nickel plated

With high degree of protection

PG thread

Part no. S S-PU	Part no. M	Part no. SPR-AS	Part no. SPR-PVC-AS SPR-PU-AS	Part no. SPR-EDU-AS	Size PG	Tube outer Ø mm	Thread length mm	Unit	Net EUR/ 100 items at a purchase of		
									up to 100	101 - 500	501 - 1000
98322	98206	98215	98224	905997	7	10,0	7,0	50	o. r.	o. r.	o. r.
98323	98207	98216	98225	905998	9	14,0	7,0	50	o. r.	o. r.	o. r.
98324	98208	98217	98226	905999	11	17,0	7,0	50	o. r.	o. r.	o. r.
98325	98209	98218	98227	906000	13,5	19,0	7,0	50	o. r.	o. r.	o. r.
98326	98210	98219	98228	906001	16	21,0	7,0	50	o. r.	o. r.	o. r.
98327	98211	98220	98229	906002	21	27,0	10,0	25	o. r.	o. r.	o. r.
98328	98212	98221	98230	906003	29	36,0	10,0	25	o. r.	o. r.	o. r.
98329	98213	98222	98231	906004	36	45,0	10,0	20	o. r.	o. r.	o. r.
98330	98214	98223	98232	906005	48	56,0	10,0	10	o. r.	o. r.	o. r.

PG thread - small package

Part no. S S-PU	Part no. M	Part no. SPR-AS	Part no. SPR-PVC-AS SPR-PU-AS	Part no. SPR-EDU-AS	Size PG	Tube outer Ø mm	Thread length mm	Unit	Net EUR/ 100 items at a purchase of		
									up to 100	101 - 500	501 - 1000
93520		93560	93580		7	10,0	7,0	10	o. r.	o. r.	o. r.
93521		93561	93581		9	14,0	7,0	10	o. r.	o. r.	o. r.
93522		93562	93582		11	17,0	7,0	10	o. r.	o. r.	o. r.
93523		93563	93583		13,5	19,0	7,0	10	o. r.	o. r.	o. r.
93524		93564	93584		16	21,0	7,0	10	o. r.	o. r.	o. r.
93525		93565	93585		21	27,0	10,0	10	o. r.	o. r.	o. r.
93526		93566	93586		29	36,0	10,0	2	o. r.	o. r.	o. r.
93527		93567	93587		36	45,0	10,0	2	o. r.	o. r.	o. r.
93528		93568	93588		48	56,0	10,0	2	o. r.	o. r.	o. r.

Dimensions and specifications may be changed without prior notice.

o. r. = on request

LI Tube gland, metal

With circlip



LI

Tube gland for protection tubes type S, S-PU, M, SPR-AS, SPR-EDU-AS, SPR-PVC-AS. The rotating interior sockets with tube rotation lock is inserted into the gland and secured against tearing by the spring steel ring.

Material

Brass, nickel plated
Grounding sleeve: Brass, bare
Retaining ring: ex spring steel

Technical data

Protection class: IP 40
Temperature range: -40°C up to +250°C

Metric thread

Part no.	Size	Tube outer Ø mm	Thread length mm	Unit	Net EUR/ 100 items at a purchase of		
					up to 100	101 - 500	501 - 1000
97619	M10 x 1,0	10,0	10,0	50	o. r.	o. r.	o. r.
97620	M12 x 1,5	14,0	10,0	50	o. r.	o. r.	o. r.
97621	M16 x 1,5	17,0	10,0	50	o. r.	o. r.	o. r.
97622	M20 x 1,5	21,0	10,0	50	o. r.	o. r.	o. r.
97623	M25 x 1,5	27,0	11,0	25	o. r.	o. r.	o. r.
97624	M32 x 1,5	36,0	13,0	25	o. r.	o. r.	o. r.
97625	M40 x 1,5	45,0	13,0	25	o. r.	o. r.	o. r.
97626	M50 x 1,5	56,0	14,0	25	o. r.	o. r.	o. r.

Metric thread - small packages

Part no.	Size	Tube outer Ø mm	Thread length mm	Unit	Net EUR/ 100 items at a purchase of		
					up to 100	101 - 500	501 - 1000
93610	M10 x 1,0	10,0	10,0	10	o. r.	o. r.	o. r.
93611	M12 x 1,5	14,0	10,0	10	o. r.	o. r.	o. r.
93612	M16 x 1,5	17,0	10,0	10	o. r.	o. r.	o. r.
93613	M20 x 1,5	21,0	10,0	10	o. r.	o. r.	o. r.
93614	M25 x 1,5	27,0	11,0	10	o. r.	o. r.	o. r.
93615	M32 x 1,5	36,0	13,0	2	o. r.	o. r.	o. r.
93616	M40 x 1,5	45,0	13,0	2	o. r.	o. r.	o. r.
93617	M50 x 1,5	56,0	14,0	2	o. r.	o. r.	o. r.

Continuation ►

LI Tube gland, metal

With circlip

PG thread

Part no.	Size PG	Tube outer Ø mm	Thread length mm	Unit	Net EUR/100 items at a purchase of		
					up to 100	101 - 500	501 - 1000
90730	7	10,0	7,0	50	o. r.	o. r.	o. r.
90731	9	14,0	7,0	50	o. r.	o. r.	o. r.
90732	11	17,0	7,0	50	o. r.	o. r.	o. r.
90733	13,5	19,0	7,0	50	o. r.	o. r.	o. r.
90734	16	21,0	7,0	50	o. r.	o. r.	o. r.
90735	21	27,0	10,0	25	o. r.	o. r.	o. r.
90736	29	36,0	10,0	25	o. r.	o. r.	o. r.
90737	36	45,0	10,0	25	o. r.	o. r.	o. r.
90738	48	56,0	10,0	10	o. r.	o. r.	o. r.

PG thread - small packages

Part no.	Size PG	Tube outer Ø mm	Thread length mm	Unit	Net EUR/100 items at a purchase of		
					up to 100	101 - 500	501 - 1000
93600	7	10,0	7,0	10	o. r.	o. r.	o. r.
93601	9	14,0	7,0	10	o. r.	o. r.	o. r.
93602	11	17,0	7,0	10	o. r.	o. r.	o. r.
93603	13,5	19,0	7,0	10	o. r.	o. r.	o. r.
93604	16	21,0	7,0	10	o. r.	o. r.	o. r.
93605	21	27,0	10,0	10	o. r.	o. r.	o. r.
93606	29	36,0	10,0	2	o. r.	o. r.	o. r.
93607	36	45,0	10,0	2	o. r.	o. r.	o. r.
93608	48	56,0	10,0	2	o. r.	o. r.	o. r.

Dimensions and specifications may be changed without prior notice.

o. r. = on request

LT-E-UI Conduit gland - straight

Stainless steel



LT-E-UI straight

LIQUIDTIGHT gland for stainless steel protection tubes UI.
The conical earthing sleeve offers maximum surface contact for optimum sealing and earthing.

Material

Stainless steel
Grounding sleeve: Brass, nickel plated
Seal: Brass, nickel plated
Seal: NBR

- halogen-free

Technical data

Protection class: IP 40

Temperature range: -55°C up to +260°C

Application

- Robotics
- Steel and aluminium foundry industry
- Machine and apparatus building
- Off-shore industry
- Security
- Metal, glass and ceramics industry

Metric thread

Part no.	Size Metric	Tube outer Ø mm	Thread length mm	Min. inner Ø mm	Unit	Net EUR/100 items at a purchase of		
						up to 100	101 - 500	501 - 1000
905812	M16 x 1,5	12,5	12,0	6,8	50	o. r.	o. r.	o. r.
905813	M16 x 1,5	16,0	12,0	9,8	50	o. r.	o. r.	o. r.
905814	M20 x 1,5	12,5	13,0	6,8	50	o. r.	o. r.	o. r.
905815	M20 x 1,5	16,0	13,0	9,8	50	o. r.	o. r.	o. r.
905816	M20 x 1,5	21,0	13,0	13,9	50	o. r.	o. r.	o. r.
905817	M25 x 1,5	26,0	15,0	18,5	25	o. r.	o. r.	o. r.
905818	M32 x 1,5	30,0	15,0	22,8	10	o. r.	o. r.	o. r.
905819	M40 x 1,5	39,0	16,0	30,8	5	o. r.	o. r.	o. r.

PG thread

Part no.	Size PG	Tube outer Ø mm	Thread length mm	Min. inner Ø mm	Unit	Net EUR/100 items at a purchase of		
						up to 100	101 - 500	501 - 1000
905820	11	12,5	12,0	6,8	50	o. r.	o. r.	o. r.
905821	11	16,0	12,0	9,8	50	o. r.	o. r.	o. r.
905822	16	21,0	13,0	13,9	50	o. r.	o. r.	o. r.
905823	21	26,0	15,0	18,5	25	o. r.	o. r.	o. r.
905824	29	30,0	15,0	22,8	10	o. r.	o. r.	o. r.
905825	36	39,0	16,0	30,8	5	o. r.	o. r.	o. r.

NPT thread

Part no.	Size NPT	Tube outer Ø mm	Thread length mm	Min. inner Ø mm	Unit	Net EUR/100 items at a purchase of		
						up to 100	101 - 500	501 - 1000
905826	1/2"	12,5	12,0	6,8	50	o. r.	o. r.	o. r.
905827	1/2"	16,0	12,0	9,8	50	o. r.	o. r.	o. r.
905828	1/2"	21,0	13,0	13,9	50	o. r.	o. r.	o. r.
905829	3/4"	26,0	15,0	18,5	25	o. r.	o. r.	o. r.
905830	1"	30,0	15,0	22,8	10	o. r.	o. r.	o. r.
905831	1 1/4"	39,0	16,0	30,8	5	o. r.	o. r.	o. r.

Dimensions and specifications may be changed without prior notice.

o. r. = on request

LT-E-UI Conduit gland - 90°



Stainless steel



LT-E-UI 90°

LIQUIDTIGHT conduit gland for stainless steel protection tubes UI.

The conical earthing sleeve offers maximum surface contact for optimum sealing and earthing.

Material

Stainless steel
Grounding sleeve: Brass, nickel plated
Seal: Brass, nickel plated
Seal: NBR

- halogen-free

Technical data

Protection class: IP 40

Temperature range: -55°C up to +260°C

Application

- Robotics
- Steel and aluminium foundry industry
- Machine and apparatus building
- Off-shore industry
- Security
- Metal, glass and ceramics industry

Metric thread

Part no.	Size Metric	Tube outer Ø mm	Thread length mm	Min. inner Ø mm	Unit	Net EUR/100 items at a purchase of		
						up to 100	101 - 500	501 - 1000
905832	M16 x 1,5	12,5	12,0	6,8	50	o. r.	o. r.	o. r.
905833	M16 x 1,5	16,0	12,0	9,8	50	o. r.	o. r.	o. r.
905834	M20 x 1,5	12,5	13,0	6,8	50	o. r.	o. r.	o. r.
905835	M20 x 1,5	16,0	13,0	9,8	50	o. r.	o. r.	o. r.
905836	M20 x 1,5	21,0	13,0	13,9	50	o. r.	o. r.	o. r.
905837	M25 x 1,5	26,0	15,0	18,5	25	o. r.	o. r.	o. r.

PG thread

Part no.	Size PG	Tube outer Ø mm	Thread length mm	Min. inner Ø mm	Unit	Net EUR/100 items at a purchase of		
						up to 100	101 - 500	501 - 1000
905838	11	12,5	12,0	6,8	50	o. r.	o. r.	o. r.
905839	11	16,0	12,0	9,8	50	o. r.	o. r.	o. r.
905840	16	21,0	13,0	13,9	50	o. r.	o. r.	o. r.
905841	21	26,0	15,0	18,5	25	o. r.	o. r.	o. r.
905842	29	30,0	15,0	22,8	10	o. r.	o. r.	o. r.

NPT thread

Part no.	Size NPT	Tube outer Ø mm	Thread length mm	Min. inner Ø mm	Unit	Net EUR/100 items at a purchase of		
						up to 100	101 - 500	501 - 1000
905843	1/2"	12,5	12,0	6,8	50	o. r.	o. r.	o. r.
905844	1/2"	16,0	12,0	9,8	50	o. r.	o. r.	o. r.
905845	1/2"	21,0	13,0	13,9	50	o. r.	o. r.	o. r.
905846	3/4"	26,0	15,0	18,5	25	o. r.	o. r.	o. r.
905847	1"	30,0	15,0	22,8	10	o. r.	o. r.	o. r.

Dimensions and specifications may be changed without prior notice.

o. r. = on request

EEK Inner sleeve

PVC



EEK

Inner sleeve EEK made of PVC for plastic conduits type K, S and S-PU.

Material

PVC

Technical data

Temperature range: -25°C up to +100°C

EEK - PVC

Part no.	Tube outer Ø mm	Unit	Net EUR/100 items at a purchase of		
			up to 100	101 - 500	501 - 1000
96342	10,0	50	o. r.	o. r.	o. r.
96449	14,0	50	o. r.	o. r.	o. r.
96343	17,0	50	o. r.	o. r.	o. r.
96450	19,0	50	o. r.	o. r.	o. r.
96451	21,0	50	o. r.	o. r.	o. r.
96344	27,0	25	o. r.	o. r.	o. r.
96447	36,0	25	o. r.	o. r.	o. r.
96345	45,0	25	o. r.	o. r.	o. r.
96347	56,0	10	o. r.	o. r.	o. r.

Dimensions and specifications may be changed without prior notice.

o. r. = on request

EEM Inner sleeve

Brass



EEM

Inner sleeve EEM made of brass for metal conduits type M, SPR-AS, SPR-PVC-AS, SPR-PU-AS und SPR-EDU-AS.

Material

Brass

Technical data

Temperature range: -40°C up to +150°C

EEM - brass

Part no. M	Tube outer Ø mm	Unit	Net EUR/100 items at a purchase of		
			up to 100	101 - 500	501 - 1000
906006	10,0	50	o. r.	o. r.	o. r.
906007	14,0	50	o. r.	o. r.	o. r.
906008	17,0	50	o. r.	o. r.	o. r.
906009	19,0	50	o. r.	o. r.	o. r.
906010	21,0	50	o. r.	o. r.	o. r.
906011	27,0	25	o. r.	o. r.	o. r.
906012	36,0	25	o. r.	o. r.	o. r.
906013	45,0	20	o. r.	o. r.	o. r.
906014	56,0	10	o. r.	o. r.	o. r.

EEM - brass

Part no. SPR-AS	Tube outer Ø mm	Unit	Net EUR/100 items at a purchase of		
			up to 100	101 - 500	501 - 1000
99510	10,0	50	o. r.	o. r.	o. r.
99511	14,0	50	o. r.	o. r.	o. r.
99512	17,0	50	o. r.	o. r.	o. r.
99513	19,0	50	o. r.	o. r.	o. r.
99514	21,0	50	o. r.	o. r.	o. r.
99515	27,0	25	o. r.	o. r.	o. r.
99516	36,0	25	o. r.	o. r.	o. r.
99517	45,0	25	o. r.	o. r.	o. r.
99518	56,0	10	o. r.	o. r.	o. r.

Part no. SPR-PVC-AS SPR-PU-AS SPR-EDU-AS	Tube outer Ø mm	Unit	Net EUR/100 items at a purchase of		
			up to 100	101 - 500	501 - 1000
97580	10,0	50	o. r.	o. r.	o. r.
97680	14,0	50	o. r.	o. r.	o. r.
97691	17,0	50	o. r.	o. r.	o. r.
97692	19,0	50	o. r.	o. r.	o. r.
97693	21,0	50	o. r.	o. r.	o. r.
97681	27,0	25	o. r.	o. r.	o. r.
97682	36,0	25	o. r.	o. r.	o. r.
97694	45,0	25	o. r.	o. r.	o. r.
97684	56,0	10	o. r.	o. r.	o. r.

Dimensions and specifications may be changed without prior notice.

o. r. = on request



EF

Universal applications.
Protection tube from reinforced, galvanized steel band with spiral wound, latched profile, a continuous cord seal and extruded plastic sheath. This complex construction method keeps the plastic sheath and the internal tube together.

Material

Galvanized steel

Outer sheath material: PVC

Note

Suitable connection glands:
LT straight, LT angled, T&B straight, T&B angled.
Dimensions 2 1/2", 3", 4", 5" and 6" available on request.

Technical data

Protection class: IP 67

Temperature range: -25°C up to +70°C
Temperature range temporary up to +90°C

Part no. grey	Part no. black	Trade size inch	Inner Ø mm	Outer Ø mm	Per metres	Net EUR/100 metres at a purchase of		
						up to 100	101 - 500	501 - 1000
91229	96939	1/4"	6,4	11,5	50	o. r.	o. r.	o. r.
91230	96248	5/16"	10,1	14,4	50	o. r.	o. r.	o. r.
91231	96249	3/8"	12,6	17,8	75	o. r.	o. r.	o. r.
91232	97153	1/2"	16,0	21,1	60	o. r.	o. r.	o. r.
91233	96718	3/4"	21,0	26,4	50	o. r.	o. r.	o. r.
91234	96250	1"	26,5	33,1	30	o. r.	o. r.	o. r.
91235	96251	1 1/4"	35,1	41,8	30	o. r.	o. r.	o. r.
91236	97175	1 1/2"	40,3	47,8	15	o. r.	o. r.	o. r.
91237	96252	2"	51,6	59,9	15	o. r.	o. r.	o. r.

Small package

Part no. grey	Part no. black	Trade size inch	Inner Ø mm	Outer Ø mm	Per metres	Net EUR/100 metres at a purchase of		
						up to 100	101 - 500	501 - 1000
94915	94930	5/16"	10,1	14,4	10	o. r.	o. r.	o. r.
94916	94931	3/8"	12,6	17,8	10	o. r.	o. r.	o. r.
94917	94932	1/2"	16,0	21,1	10	o. r.	o. r.	o. r.
94918	94933	3/4"	21,0	26,4	10	o. r.	o. r.	o. r.

Dimensions and specifications may be changed without prior notice.

o. r. = on request



OR

Resistant to oil, grease, alkalis and acids.
Protection tubes from reinforced, galvanized steel band with spiral wound, latched profile, a continuous cord seal and extruded plastic sheath. This complex construction method keeps the plastic sheath and the internal tube together.

Material

Galvanized steel
UV-resistant

Outer sheath material: Special PVC

Note

Suitable connection glands:
LT straight, LT angled, T&B straight, T&B angled.

Technical data

Protection class: IP 67

Temperature range: -15°C up to +100°C
Temperature range temporary up to +120°C

Part no. black	Trade size inch	Inner Ø mm	Outer Ø mm	Per metres	Net EUR/100 metres at a purchase of		
					up to 100	101 - 500	501 - 1000
91245	3/8"	12,6	17,8	75	o. r.	o. r.	o. r.
91246	1/2"	16,0	21,1	60	o. r.	o. r.	o. r.
91247	3/4"	21,0	26,4	50	o. r.	o. r.	o. r.
91248	1"	26,5	33,1	30	o. r.	o. r.	o. r.
91249	1 1/4"	35,1	41,8	30	o. r.	o. r.	o. r.
91250	1 1/2"	40,3	47,8	15	o. r.	o. r.	o. r.
91251	2"	51,6	59,9	15	o. r.	o. r.	o. r.

Dimensions and specifications may be changed without prior notice.

o. r. = on request



HTDL

UL/CSA approval, good EMC properties.
Protection tube from reinforced, galvanized steel band with spiral wound, latched profile, a continuous copper conductor and extruded plastic sheath.

This complex construction method keeps the plastic sheath and the internal tube together.

Material

Galvanized steel
UV-resistant

Outer sheath material: PVC

Note

Suitable connection glands:
LT straight, LT angled, T&B straight, T&B angled.
Up to 1 1/4" with copper conductor.

Technical data

Protection class: IP 67

Temperature range: -45°C up to +105°C
Temperature range temporary up to +120°C

Part no. black	Trade size inch	Inner Ø mm	Outer Ø mm	Per metres	Net EUR/100 metres at a purchase of		
					up to 100	101 - 500	501 - 1000
98149	3/8"	12,6	17,8	60	o. r.	o. r.	o. r.
98150	1/2"	16,1	21,1	60	o. r.	o. r.	o. r.
98151	3/4"	21,1	26,4	45	o. r.	o. r.	o. r.
98152	1"	26,8	33,1	30	o. r.	o. r.	o. r.
98153	1 1/4"	35,4	41,8	15	o. r.	o. r.	o. r.
98154	1 1/2"	40,3	47,8	15	o. r.	o. r.	o. r.
98155	2"	51,6	59,9	15	o. r.	o. r.	o. r.

Dimensions and specifications may be changed without prior notice.

o. r. = on request



HC

For extremely extensive temperature ranges. Protection tubes from reinforced, galvanized steel band with spiral wound, latched profile, a continuous cord seal and extruded plastic sheath. This complex construction method keeps the plastic sheath and the internal tube together.

Material

Galvanized steel
UV-resistant

Outer sheath material: PVC

Note

Suitable connection glands:
LT straight, LT angled, T&B straight, T&B angled.

Technical data

Protection class: IP 67

Temperature range: -45°C up to +105°C
Temperature range temporary up to +120°C

Part no. black	Trade size inch	Inner Ø mm	Outer Ø mm	Per metres	Net EUR/100 metres at a purchase of		
					up to 100	101 - 500	501 - 1000
91238	3/8"	12,6	17,8	75	o. r.	o. r.	o. r.
91239	1/2"	16,0	21,1	60	o. r.	o. r.	o. r.
91240	3/4"	21,0	26,4	50	o. r.	o. r.	o. r.
91241	1"	26,5	33,1	30	o. r.	o. r.	o. r.
91242	1 1/4"	35,1	41,8	30	o. r.	o. r.	o. r.
91243	1 1/2"	40,3	47,8	15	o. r.	o. r.	o. r.
91244	2"	51,6	59,9	15	o. r.	o. r.	o. r.

Dimensions and specifications may be changed without prior notice.

o. r. = on request



HCX

For extensive temperature ranges.
Protection tubes from reinforced, galvanized steel band with spiral wound, latched profile, a continuous cord seal and extruded plastic sheath. This complex construction method keeps the plastic sheath and the internal tube together.

Material

Galvanized steel
UV-resistant

Outer sheath material: Elastomer

Note

Suitable connection glands:
LT straight, LT angled, T&B straight, T&B angled

Technical data

Protection class: IP 67

Temperature range: -55°C up to +145°C
Temperature range temporary up to +160°C

Part no. black	Trade size inch	Inner Ø mm	Outer Ø mm	Per metres	Net EUR/100 metres at a purchase of		
					up to 100	101 - 500	501 - 1000
94735	3/8"	12,6	17,8	30	o. r.	o. r.	o. r.
96410	1/2"	16,0	21,1	30	o. r.	o. r.	o. r.
96954	3/4"	21,0	26,4	30	o. r.	o. r.	o. r.
97945	1"	26,5	33,1	30	o. r.	o. r.	o. r.
96247	1 1/4"	35,1	41,8	15	o. r.	o. r.	o. r.
97668	1 1/2"	40,3	47,8	15	o. r.	o. r.	o. r.
97811	2"	51,6	59,9	15	o. r.	o. r.	o. r.

Dimensions and specifications may be changed without prior notice.

o. r. = on request



ZHLS

Halogen-free, low smoke generation.
Protection tube from reinforced, galvanized steel band with spiral wound, latched profile, a continuous cord seal and extruded plastic sheath. This complex construction method keeps the plastic sheath and the internal tube together.

Material

UV-resistant

Outer sheath material: Polyolefin

- halogen-free

Technical data

Protection class: IP 67

Temperature range: -25°C up to +80°C
Temperature range temporary up to +100°C

Note

Suitable connection glands:
LT straight, LT angled, T&B straight, T&B angled

Part no. black	Trade size inch	Inner Ø mm	Outer Ø mm	Per metres	Net EUR/100 metres at a purchase of		
					up to 100	101 - 500	501 - 1000
94988	5/16"	10,1	14,4	30	o. r.	o. r.	o. r.
94989	3/8"	12,6	17,8	30	o. r.	o. r.	o. r.
94990	1/2"	16,0	21,1	30	o. r.	o. r.	o. r.
94991	3/4"	21,0	26,4	30	o. r.	o. r.	o. r.
94992	1"	26,5	33,1	30	o. r.	o. r.	o. r.
94993	1 1/4"	35,1	41,8	15	o. r.	o. r.	o. r.

Dimensions and specifications may be changed without prior notice.

o. r. = on request



HFX

Halogen-free, low smoke generation, UV-resistant, oil-resistant, weather-resistant. Protection tube from reinforced, galvanized steel band with spiral wound, latched profile, a continuous cord seal and extruded plastic sheath. This complex construction method keeps the plastic sheath and the internal tube together.

Material

Galvanized steel
UV-resistant

Outer sheath material: Polyurethane

- halogen-free

Properties

Low toxicity in case of fire.
Flexible at low temperatures, very good UV-resistance and oil resistance.
EN standard approved tube, for railways, tunnels, ships, public buildings.

Note

Suitable connection glands:
T&B straight, T&B angled, Anamet straight, Anamet angled

Technical data

Protection class: IP 67

Temperature range: -45°C up to +105°C
Temperature range temporary up to +125°C

Part no. black	Trade size inch	Inner Ø mm	Outer Ø mm	Per metres	Net EUR/100 metres at a purchase of		
					up to 100	101 - 500	501 - 1000
94994	5/16"	10,1	14,4	30	o. r.	o. r.	o. r.
94995	3/8"	12,6	17,8	30	o. r.	o. r.	o. r.
94996	1/2"	16,0	21,1	30	o. r.	o. r.	o. r.
94997	3/4"	21,0	26,4	30	o. r.	o. r.	o. r.
94998	1"	26,5	33,1	30	o. r.	o. r.	o. r.
94999	1 1/4"	35,1	41,8	15	o. r.	o. r.	o. r.

Dimensions and specifications may be changed without prior notice.

o. r. = on request



CNP

Full plastic, UL/CSA approval.
Extremely abrasion-resistant plastic tube for heavy-duty applications.
Construction: Neoprene internal tube with nylon weave and abrasion-proof special PVC sheath.
Very good UV- and oil-resistance

Material

PVC
UV-resistant

Outer sheath material: PVC
With woven nylon insert

Technical data

Protection class: IP 67

Temperature range: -20°C up to +60°C
Temperature range temporary up to +80°C

Note

Suitable connection glands:
LT-CNP and LT-CNP-E

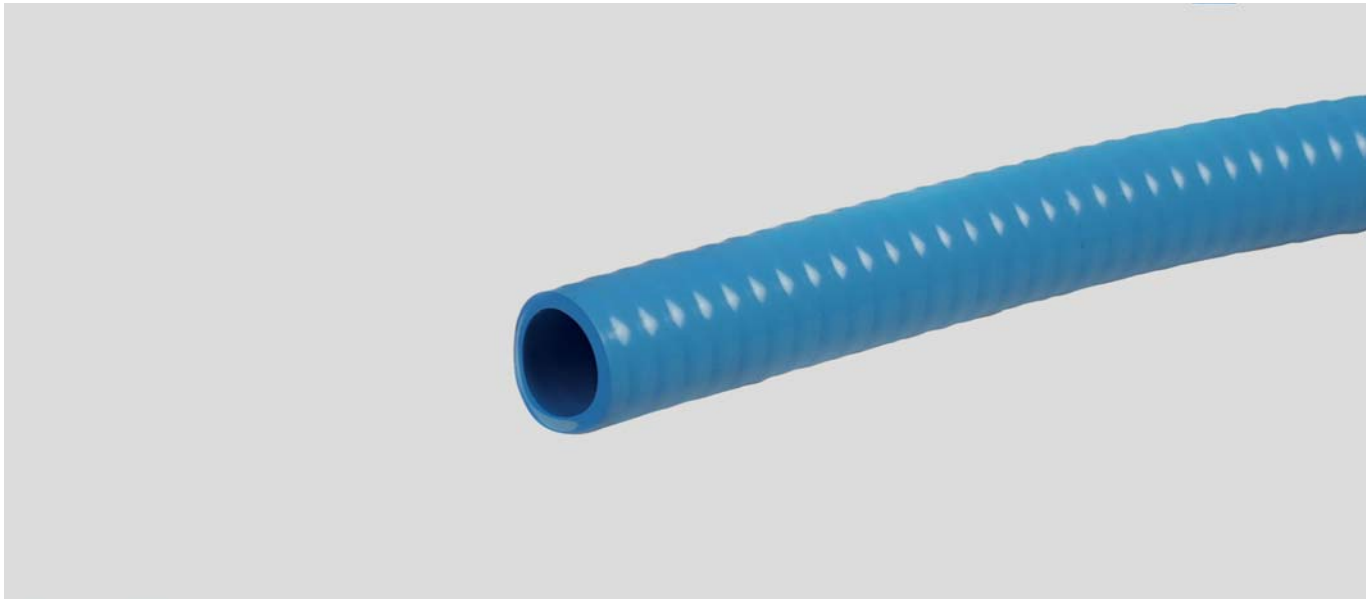
Part no. orange	Trade size inch	Inner Ø mm	Outer Ø mm	Per metres	Net EUR/100 metres at a purchase of		
					up to 100	101 - 500	501 - 1000
91259	3/8"	12,6	19,4	76	o. r.	o. r.	o. r.
91260	1/2"	16,1	23,4	60	o. r.	o. r.	o. r.
91261	3/4"	21,0	29,5	53	o. r.	o. r.	o. r.
91262	1"	26,5	36,3	30	o. r.	o. r.	o. r.
91263	1 1/4"	35,1	46,0	15	o. r.	o. r.	o. r.
91264	1 1/2"	40,7	52,4	15	o. r.	o. r.	o. r.
91265	2"	52,4	66,6	15	o. r.	o. r.	o. r.

Dimensions and specifications may be changed without prior notice.

o. r. = on request

Anaconda Sealtite® NMFG-Clean

For highest standards of cleanliness and purity



NMFG-Clean, blue

Thick, soft, smooth, thermoplastic PVC tube with integrated Hard PVC spiral

Application

- Food industry - milk - and meat products
- Packaging of food machines
- Beverage industry
- Pharmaceutical industry
- Biotechnology
- Chemical industry

Material

Special PVC according to FDA CFR 21 and NSF 51 (USA-standard)

Properties

- Liquid tight
- The smooth surface prevents to adhere harmful micro organisms
- Easy and fast cleaning because of the smooth surface
- Suitable for high pressure steam cleaning
- Resistant against chemical cleaning supplies
- High flexible

Note

Suitable connection glands:
LT-FG-Clean (up to M50), LT-straight,
LT-angled, LT-E-UI-straight, LT-E-UI-angled

Technical data

Protection class: IP 67 - in conjunction with the suitable tube connectors

Temperature range: -20°C up to +60°C
Temperature range temporary up to +80°C

Part no. blue	Trade size inch	Inner Ø mm	Outer Ø mm	Bending radius static	Bending radius dynamic	Unit	Net EUR/100 items at a purchase of		
							up to 100	101 - 500	501 - 1000
908211	3/8	12,6	17,8	70	100	30	o. r.	o. r.	o. r.
908212	1/2	16,0	21,1	100	135	30	o. r.	o. r.	o. r.
908213	3/4	21,1	26,4	130	175	30	o. r.	o. r.	o. r.
908214	1	26,8	33,1	180	220	30	o. r.	o. r.	o. r.
908215	1 1/4	35,4	41,8	225	270	15	o. r.	o. r.	o. r.
908216	1 1/2	40,3	47,8	255	320	15	o. r.	o. r.	o. r.
908217	2	51,6	59,9	310	400	15	o. r.	o. r.	o. r.

Dimensions and specifications may be changed without prior notice.

o. r. = on request

CV Compact Conduit gland - straight

Brass



Conduit gland CV Compact straight

Brass nickel-plated conduit gland.

Application

- Plant and machine construction
- Robotics
- Automation technology
- Vehicle construction and shipbuilding
- Railway technology
- Installation technology
- Control cabinet construction

Material

Brass, nickel plated
Grounding sleeve: Steel
Seal: Polyamide

Note

Suitable for metallic protection tubes:
EF, HTDL, OR, HC, HXC, ZHLS, HFX

Technical data

Protection class: IP 67

Temperature range: -45°C up to +105°C

Metric thread

Part no.	Size Metric	Suitable for tube ND	Suitable for tube outer Ø mm	Spanner size mm	Thread length mm	Unit	Net EUR/100 items at a purchase of		
							up to 100	101 - 500	501 - 1000
908473	M16 x 1,5	3/8	12,6	26,0	10,0	10	o. r.	o. r.	o. r.
908474	M20 x 1,5	3/8	12,6	26,0	10,0	10	o. r.	o. r.	o. r.
908475	M20 x 1,5	1/2	16,1	26,0	10,0	10	o. r.	o. r.	o. r.
908476	M25 x 1,5	3/4	21,1	35,0	10,0	5	o. r.	o. r.	o. r.
908477	M32 x 1,5	1	26,8	45,0	12,0	5	o. r.	o. r.	o. r.
908478	M40 x 1,5	1 1/4	35,4	53,0	13,0	2	o. r.	o. r.	o. r.
908479	M50 x 1,5	1 1/2	40,3	62,0	14,0	2	o. r.	o. r.	o. r.
908480	M63 x 1,5	2	51,6	76,0	16,0	2	o. r.	o. r.	o. r.

Dimensions and specifications may be changed without prior notice.

o. r. = on request

CV Compact Conduit gland - 90°

Brass



Conduit gland CV Compact 90°

Brass nickel-plated conduit gland.

Application

- Plant and machine construction
- Robotics
- Automation technology
- Vehicle construction and shipbuilding
- Railway technology
- Installation technology
- Control cabinet construction

Material

Brass, nickel plated
Grounding sleeve: Steel
Seal: Polyamide

Note

Suitable for metallic protection tubes:
EF, HTDL, OR, HC, HCX, ZHLS, HFX

Technical data

Protection class: IP 67

Temperature range: -45°C up to +105°C

Metric thread

Part no.	Size Metric	Suitable for tube ND	Suitable for tube outer Ø mm	Spanner size mm	Thread length mm	Unit	Net EUR/ 100 items at a purchase of		
							up to 100	101 - 500	501 - 1000
908481	M16 x 1,5	3/8	12,6	26,0	10,0	10	o. r.	o. r.	o. r.
908482	M20 x 1,5	3/8	12,6	26,0	10,0	10	o. r.	o. r.	o. r.
908483	M20 x 1,5	1/2	16,1	29,0	10,0	10	o. r.	o. r.	o. r.
908484	M25 x 1,5	3/4	21,1	35,0	10,0	5	o. r.	o. r.	o. r.
908485	M32 x 1,5	1	26,8	45,0	12,0	5	o. r.	o. r.	o. r.
908486	M40 x 1,5	1 1/4	35,4	53,0	13,0	2	o. r.	o. r.	o. r.
908487	M50 x 1,5	1 1/2	40,3	62,0	14,0	2	o. r.	o. r.	o. r.
908488	M63 x 1,5	2	51,6	76,0	16,0	2	o. r.	o. r.	o. r.

Dimensions and specifications may be changed without prior notice.

o. r. = on request



Conduit gland LT straight

LIQUIDTIGHT gland for plastic-coated metallic protection tubes and high temperature protection tubes HTP (An additional clamping ring is required). UL/CSA approval. The conical earthing sleeve offers maximum surface contact for optimum sealing and earthing.

Application

- Plant and machine construction
- Robotics
- Automation technology
- Vehicle construction and shipbuilding
- Railway technology
- Installation technology
- Control cabinet construction

Material

Brass, nickel plated
Grounding sleeve: Steel
Seal: Polyamide

Properties

- Halogen-free

Note

Suitable for metallic protection tubes:
EF, HTDL, OR, HC, HCX, ZHLS, HFX

Technical data

Protection class: IP 67

Temperature range: -45°C up to +105°C

Metric thread

Part no.	Size Metric	Suitable for tube ND	Suitable for tube outer Ø mm	Spanner size mm	Thread length mm	Unit	Net EUR/100 items at a purchase of		
							up to 100	101 - 500	501 - 1000
94151	M16 x 1,5	3/8"	17,8	26,0	13,0	50	o. r.	o. r.	o. r.
94152	M20 x 1,5	1/2"	21,1	29,0	14,0	50	o. r.	o. r.	o. r.
94153	M25 x 1,5	3/4"	26,4	35,0	14,0	25	o. r.	o. r.	o. r.
94154	M32 x 1,5	1"	33,1	45,0	16,0	10	o. r.	o. r.	o. r.
94155	M40 x 1,5	1 1/4"	41,8	54,0	18,0	5	o. r.	o. r.	o. r.
94156	M50 x 1,5	1 1/2"	47,8	63,0	23,0	5	o. r.	o. r.	o. r.
920522	M63 x 1,5	2"	59,9	77,0	26,0	4	o. r.	o. r.	o. r.

PG thread

Part no.	Size PG	Suitable for tube ND	Suitable for tube outer Ø mm	Spanner size mm	Thread length mm	Unit	Net EUR/100 items at a purchase of		
							up to 100	101 - 500	501 - 1000
91006	11	3/8"	17,8	26,0	13,0	50	o. r.	o. r.	o. r.
91007	13,5	3/8"	17,8	26,0	13,0	50	o. r.	o. r.	o. r.
91008	16	1/2"	21,1	29,0	14,0	50	o. r.	o. r.	o. r.
91009	21	3/4"	26,4	35,0	14,0	25	o. r.	o. r.	o. r.
91010	29	1"	33,1	45,0	16,0	10	o. r.	o. r.	o. r.
91011	36	1 1/4"	41,8	54,0	18,0	5	o. r.	o. r.	o. r.
91012	42	1 1/2"	47,8	63,0	23,0	5	o. r.	o. r.	o. r.
91013	48	2"	59,9	77,0	26,0	4	o. r.	o. r.	o. r.

Continuation ►

LT Conduit gland - straight



NPT thread

Part no.	Size NPT	Suitable for tube ND	Suitable for tube outer Ø mm	Spanner size mm	Thread length mm	Unit	Net EUR/100 items at a purchase of		
							up to 100	101 - 500	501 - 1000
905749	1/2"	3/8"	17,8	26,0	12,0	50	o. r.	o. r.	o. r.
905750	1/2"	1/2"	21,1	29,0	13,0	50	o. r.	o. r.	o. r.
905751	3/4"	3/4"	26,4	35,0	15,0	25	o. r.	o. r.	o. r.
905752	1"	1"	33,1	45,0	15,0	10	o. r.	o. r.	o. r.
905753	1 1/4"	1 1/4"	49,0	54,0	16,0	5	o. r.	o. r.	o. r.
905754	1 1/2"	1 1/2"	61,0	63,0	18,0	5	o. r.	o. r.	o. r.
905755	2"	2"	66,0	77,0	20,0	4	o. r.	o. r.	o. r.

Dimensions and specifications may be changed without prior notice.

o. r. = on request



Conduit gland LT 45°

LIQUIDTIGHT gland for plastic-coated metallic protection tubes and high temperature protection tubes HTP. (An additional clamping ring is required). UL/CSA approval. The conical earthing sleeve offers maximum surface contact for optimum sealing and earthing.

Application

- Plant and machine construction
- Robotics
- Automation technology
- Vehicle construction and shipbuilding
- Railway technology
- Installation technology
- Control cabinet construction

Material

Brass, nickel plated
Grounding sleeve: Steel
Seal: Polyamide

Properties

- Halogen-free

Note

Suitable for metallic protection tubes:
EF, HTDL, OR, HC, HCX, ZHLS, HFX

Technical data

Protection class: IP 67

Temperature range: -45°C up to +105°C

Metric thread

Part no.	Size Metric	Suitable for tube ND	Suitable for tube outer Ø mm	Spanner size mm	Thread length mm	Unit	Net EUR/100 items at a purchase of		
							up to 100	101 - 500	501 - 1000
94160	M16 x 1,5	3/8"	17,8	26,0	13,0	50	o. r.	o. r.	o. r.
94161	M20 x 1,5	1/2"	21,1	29,0	14,0	50	o. r.	o. r.	o. r.
94162	M25 x 1,5	3/4"	26,4	35,0	14,0	25	o. r.	o. r.	o. r.
94163	M32 x 1,5	1"	33,1	45,0	16,0	10	o. r.	o. r.	o. r.
920526	M40 x 1,5	1 1/4"	41,8	54,0	18,0	5	o. r.	o. r.	o. r.
920527	M50 x 1,5	1 1/2"	47,8	63,0	23,0	5	o. r.	o. r.	o. r.
920528	M63 x 1,5	2"	59,9	77,0	26,0	4	o. r.	o. r.	o. r.

PG thread

Part no.	Size PG	Suitable for tube ND	Suitable for tube outer Ø mm	Spanner size mm	Thread length mm	Unit	Net EUR/100 items at a purchase of		
							up to 100	101 - 500	501 - 1000
91014	11	3/8"	17,8	26,0	16,0	50	o. r.	o. r.	o. r.
91015	13,5	3/8"	17,8	26,0	16,0	50	o. r.	o. r.	o. r.
91016	16	1/2"	21,1	29,0	16,0	50	o. r.	o. r.	o. r.
91017	21	3/4"	26,4	35,0	16,0	25	o. r.	o. r.	o. r.
91018	29	1"	33,1	45,0	19,0	10	o. r.	o. r.	o. r.
91019	36	1 1/4"	41,8	54,0	16,0	5	o. r.	o. r.	o. r.
91020	42	1 1/2"	47,8	63,0	16,0	5	o. r.	o. r.	o. r.
91021	48	2"	59,9	77,0	18,0	4	o. r.	o. r.	o. r.

Continuation ►

LT Conduit gland - 45°



NPT thread

Part no.	Size NPT	Suitable for tube ND	Suitable for tube outer Ø mm	Spanner size mm	Thread length mm	Unit	Net EUR/ 100 items at a purchase of		
							up to 100	101 - 500	501 - 1000
905756	1/2"	3/8"	17,8	26,0	12,0	50	o. r.	o. r.	o. r.
905757	1/2"	1/2"	21,1	29,0	13,0	50	o. r.	o. r.	o. r.
905758	3/4"	3/4"	26,4	35,0	15,0	25	o. r.	o. r.	o. r.
905759	1"	1"	33,1	45,0	15,0	10	o. r.	o. r.	o. r.
905760	1 1/4"	1 1/4"	49,0	54,0	16,0	5	o. r.	o. r.	o. r.
905761	1 1/2"	1 1/2"	61,0	63,0	18,0	5	o. r.	o. r.	o. r.
905762	2"	2"	66,0	77,0	20,0	4	o. r.	o. r.	o. r.

Dimensions and specifications may be changed without prior notice.

o. r. = on request



Conduit gland LT 90°

LIQUIDTIGHT gland for plastic-coated metallic protection tubes and high temperature protection tubes HTP. (An additional clamping ring is required). UL/CSA approval. The conical earthing sleeve offers maximum surface contact for optimum sealing and earthing.

Application

- Plant and machine construction
- Robotics
- Automation technology
- Vehicle construction and shipbuilding
- Railway technology
- Installation technology
- Control cabinet construction

Material

Brass, nickel plated
Grounding sleeve: Steel
Seal: Polyamide

Properties

- Halogen-free

Note

Suitable for metallic protection tubes:
EF, HTDL, OR, HC, HCX, ZHLS, HFX

Technical data

Protection class: IP 67

Temperature range: -45°C up to +105°C

Metric thread

Part no.	Size Metric	Suitable for tube ND	Suitable for tube outer Ø mm	Spanner size mm	Thread length mm	Unit	Net EUR/100 items at a purchase of		
							up to 100	101 - 500	501 - 1000
94170	M16 x 1,5	3/8"	17,8	26,0	13,0	50	o. r.	o. r.	o. r.
94171	M20 x 1,5	1/2"	21,1	29,0	14,0	50	o. r.	o. r.	o. r.
94172	M25 x 1,5	3/4"	26,4	35,0	14,0	25	o. r.	o. r.	o. r.
94173	M32 x 1,5	1"	33,1	45,0	16,0	10	o. r.	o. r.	o. r.
920523	M40 x 1,5	1 1/4"	41,8	54,0	18,0	5	o. r.	o. r.	o. r.
920524	M50 x 1,5	1 1/2"	47,8	63,0	23,0	5	o. r.	o. r.	o. r.
920525	M63 x 1,5	2"	59,9	77,0	26,0	4	o. r.	o. r.	o. r.

PG thread

Part no.	Size PG	Suitable for tube ND	Suitable for tube outer Ø mm	Spanner size mm	Thread length mm	Unit	Net EUR/100 items at a purchase of		
							up to 100	101 - 500	501 - 1000
91022	11	3/8"	17,8	26,0	13,0	50	o. r.	o. r.	o. r.
91023	13,5	3/8"	17,8	26,0	13,0	50	o. r.	o. r.	o. r.
91024	16	1/2"	21,1	29,0	14,0	50	o. r.	o. r.	o. r.
91025	21	3/4"	26,4	35,0	14,0	25	o. r.	o. r.	o. r.
91026	29	1"	33,1	45,0	16,0	10	o. r.	o. r.	o. r.
91027	36	1 1/4"	41,8	54,0	18,0	5	o. r.	o. r.	o. r.
91028	42	1 1/2"	47,8	63,0	23,0	5	o. r.	o. r.	o. r.
91029	48	2"	59,9	77,0	26,0	4	o. r.	o. r.	o. r.

Continuation ►

LT Conduit gland - 90°



NPT thread

Part no.	Size NPT	Suitable for tube ND	Suitable for tube outer Ø mm	Spanner size mm	Thread length mm	Unit	Net EUR/100 items at a purchase of		
							up to 100	101 - 500	501 - 1000
905763	1/2"	3/8"	17,8	26,0	12,0	50	o. r.	o. r.	o. r.
905764	1/2"	1/2"	21,1	29,0	13,0	50	o. r.	o. r.	o. r.
905765	3/4"	3/4"	26,4	35,0	15,0	25	o. r.	o. r.	o. r.
905766	1"	1"	33,1	45,0	15,0	10	o. r.	o. r.	o. r.
905767	1 1/4"	1 1/4"	49,0	54,0	16,0	5	o. r.	o. r.	o. r.
905768	1 1/2"	1 1/2"	36,8	63,0	18,0	5	o. r.	o. r.	o. r.
905769	2"	2"	66,0	77,0	20,0	4	o. r.	o. r.	o. r.

Dimensions and specifications may be changed without prior notice.

o. r. = on request



T&B straight

Conduit gland for Anaconda protection tubes. The specific construction prevents the tubes becoming deformed during assembly.

Material

Galvanized steel chromate finish
Grounding sleeve: Steel
Seal: Polyamide

Technical data

Protection class: IP 67

Application

- Plant and machine construction
- Robotics
- Automation technology
- Vehicle construction and shipbuilding
- Railway technology
- Installation technology
- Control cabinet construction

Metric thread

Part no.	Size Metric	Suitable for tube ND	Suitable for tube outer Ø mm	Spanner size mm	Thread length mm	Unit	Net EUR/100 items at a purchase of		
							up to 100	101 - 500	501 - 1000
98173	M16 x 1,5	1/4"	11,5	22,0	12,0	25	o. r.	o. r.	o. r.
98174	M20 x 1,5	1/4"	11,5	22,0	12,0	25	o. r.	o. r.	o. r.
98171	M16 x 1,5	5/16"	14,4	22,0	12,0	25	o. r.	o. r.	o. r.
98172	M20 x 1,5	5/16"	14,4	22,0	12,0	25	o. r.	o. r.	o. r.
98175	M16 x 1,5	3/8"	17,8	29,0	16,0	25	o. r.	o. r.	o. r.
98176	M20 x 1,5	3/8"	17,8	29,0	16,0	25	o. r.	o. r.	o. r.
98177	M20 x 1,5	1/2"	21,1	35,0	16,0	25	o. r.	o. r.	o. r.
98178	M25 x 1,5	3/4"	26,4	42,0	16,0	25	o. r.	o. r.	o. r.
98179	M32 x 1,5	1"	33,1	47,0	15,0	5	o. r.	o. r.	o. r.

PG thread

Part no.	Size PG	Suitable for tube ND	Suitable for tube outer Ø mm	Spanner size mm	Thread length mm	Unit	Net EUR/100 items at a purchase of		
							up to 100	101 - 500	501 - 1000
90684	9	5/16"	14,4	26,0	12,0	25	o. r.	o. r.	o. r.
90685	11	3/8"	17,8	29,0	14,0	25	o. r.	o. r.	o. r.
90686	13,5	3/8"	17,8	29,0	14,0	25	o. r.	o. r.	o. r.
90687	16	1/2"	21,1	35,0	14,0	25	o. r.	o. r.	o. r.
90688	21	3/4"	26,4	42,0	14,0	25	o. r.	o. r.	o. r.
90689	29	1"	33,1	47,0	19,0	5	o. r.	o. r.	o. r.
90690	36	1 1/4"	41,8	58,0	21,0	5	o. r.	o. r.	o. r.
90691	42	1 1/2"	47,8	69,0	21,0	2	o. r.	o. r.	o. r.
90692	48	2"	59,9	83,0	21,0	1	o. r.	o. r.	o. r.

Continuation ►

T&B Conduit gland - straight



NPT thread

Part no.	Size NPT	Suitable for tube ND	Suitable for tube outer Ø mm	Spanner size mm	Thread length mm	Unit	Net EUR/100 items at a purchase of		
							up to 100	101 - 500	501 - 1000
98190	1/4"	1/4"	11,5	21,0	12,0	25	o. r.	o. r.	o. r.
98191	3/8"	5/16"	14,4	25,0	12,0	25	o. r.	o. r.	o. r.
96737	1/2"	3/8"	17,8	29,0	14,0	25	o. r.	o. r.	o. r.
90810	1/2"	1/2"	21,1	35,0	14,0	25	o. r.	o. r.	o. r.
96465	3/4"	3/4"	26,4	42,0	14,0	25	o. r.	o. r.	o. r.
96205	1"	1"	33,1	48,0	19,0	10	o. r.	o. r.	o. r.
98192	1 1/4"	1 1/4"	41,8	58,0	21,0	5	o. r.	o. r.	o. r.
96206	1 1/2"	1 1/2"	47,8	69,0	21,0	2	o. r.	o. r.	o. r.
96207	2"	2"	59,9	83,0	22,0	1	o. r.	o. r.	o. r.

Dimensions and specifications may be changed without prior notice.

o. r. = on request



T&B 45° angled

Conduit gland for Anaconda protection tubes. The specific construction prevents the tubes becoming deformed during assembly.

Material

Galvanized steel chromate finish
Grounding sleeve: Steel
Seal: Polyamide

Technical data

Protection class: IP 67

Application

- Plant and machine construction, Automation and installation technology, Vehicle construction and shipbuilding

Metric thread

Part no.	Type	Size Metric	Suitable for tube ND	Suitable for tube outer Ø mm	Thread length mm	Spanner size mm	Unit	Net EUR/100 items at a purchase of		
								up to 100	101 - 500	501 - 1000
98180	9340	M16 x 1,5	3/8"	17,8	16,0	28,0	25	o. r.	o. r.	o. r.
98181	9341	M20 x 1,5	3/8"	17,8	16,0	28,0	25	o. r.	o. r.	o. r.
98182	9342	M20 x 1,5	1/2"	21,1	16,0	34,0	25	o. r.	o. r.	o. r.
98183	9343	M25 x 1,5	3/4"	26,4	16,0	42,0	10	o. r.	o. r.	o. r.
98184	9344	M32 x 1,5	1"	33,1	23,0	47,0	5	o. r.	o. r.	o. r.

PG thread

Part no.	Type	Size PG	Suitable for tube ND	Suitable for tube outer Ø mm	Thread length mm	Spanner size mm	Unit	Net EUR/100 items at a purchase of		
								up to 100	101 - 500	501 - 1000
90693	7341	11	3/8"	17,8	14,0	29,0	25	o. r.	o. r.	o. r.
90694	7342	13,5	3/8"	17,8	14,0	29,0	25	o. r.	o. r.	o. r.
90695	7343	16	1/2"	21,1	14,0	35,0	25	o. r.	o. r.	o. r.
90696	7344	21	3/4"	26,4	14,0	42,0	5	o. r.	o. r.	o. r.
90697	7345	29	1"	33,1	21,0	47,0	5	o. r.	o. r.	o. r.
90698	7346	36	1 1/4"	41,8	21,0	58,0	5	o. r.	o. r.	o. r.
90699	7347	42	1 1/2"	47,8	21,0	69,0	2	o. r.	o. r.	o. r.
90700	7348	48	2"	59,9	24,0	83,0	1	o. r.	o. r.	o. r.

NPT thread

Part no.	Type	Size NPT	Suitable for tube ND	Suitable for tube outer Ø mm	Thread length mm	Spanner size mm	Unit	Net EUR/100 items at a purchase of		
								up to 100	101 - 500	501 - 1000
96739	5341	1/2"	3/8"	17,8	14,0	29,0	25	o. r.	o. r.	o. r.
96208	5342	1/2"	1/2"	21,1	14,0	35,0	25	o. r.	o. r.	o. r.
96209	5343	3/4"	3/4"	26,4	14,0	42,0	10	o. r.	o. r.	o. r.
96210	5344	1"	1"	33,1	19,0	48,0	5	o. r.	o. r.	o. r.
98196	5345	1 1/4"	1 1/4"	41,8	21,0	58,0	5	o. r.	o. r.	o. r.
98197	5346	1 1/2"	1 1/2"	47,8	21,0	69,0	2	o. r.	o. r.	o. r.
96211	5347	2"	2"	59,9	22,0	83,0	1	o. r.	o. r.	o. r.

Dimensions and specifications may be changed without prior notice.

o. r. = on request



T&B 90° angled

Conduit gland for Anaconda protection tubes. The specific construction prevents the tubes becoming deformed during assembly.

Material

Galvanized steel chromate finish
Grounding sleeve: Steel
Seal: Polyamide

Technical data

Protection class: IP 67

Application

- Plant and machine construction
- Robotics
- Automation technology
- Vehicle construction and shipbuilding
- Railway technology
- Installation technology
- Control cabinet construction

Metric thread

Part no.	Type	Size Metric	Suitable for tube ND	Suitable for tube outer Ø mm	Thread length mm	Spanner size mm	Unit	Net EUR/ 100 items at a purchase of		
								up to 100	101 - 500	501 - 1000
98185	9350	M16 x 1,5	3/8"	17,8	16,0	28,0	25	o. r.	o. r.	o. r.
98186	9351	M20 x 1,5	3/8"	17,8	16,0	28,0	25	o. r.	o. r.	o. r.
98187	9352	M20 x 1,5	1/2"	21,1	16,0	34,0	25	o. r.	o. r.	o. r.
98188	9353	M25 x 1,5	3/4"	26,4	16,0	42,0	10	o. r.	o. r.	o. r.
98189	9354	M32 x 1,5	1"	33,1	23,0	47,0	5	o. r.	o. r.	o. r.

PG thread

Part no.	Type	Size PG	Suitable for tube ND	Suitable for tube outer Ø mm	Thread length mm	Spanner size mm	Unit	Net EUR/ 100 items at a purchase of		
								up to 100	101 - 500	501 - 1000
90701	7351	11	3/8"	17,8	14,0	29,0	25	o. r.	o. r.	o. r.
90702	7352	13,5	3/8"	17,8	14,0	29,0	25	o. r.	o. r.	o. r.
90703	7353	16	1/2"	21,1	14,0	35,0	25	o. r.	o. r.	o. r.
90704	7354	21	3/4"	26,4	14,0	42,0	5	o. r.	o. r.	o. r.
90705	7355	29	1"	33,1	21,0	47,0	5	o. r.	o. r.	o. r.
90706	7356	36	1 1/4"	41,8	21,0	58,0	5	o. r.	o. r.	o. r.
90707	7357	42	1 1/2"	47,8	21,0	69,0	2	o. r.	o. r.	o. r.
90708	7358	48	2"	59,9	24,0	83,0	1	o. r.	o. r.	o. r.

Continuation ►

T&B Conduit gland - 90°



NPT thread

Part no.	Type	Size NPT	Suitable for tube ND	Suitable for tube outer Ø mm	Thread length mm	Spanner size mm	Unit	Net EUR/100 items at a purchase of		
								up to 100	101 - 500	501 - 1000
97300	5351	1/2"	3/8"	17,8	14,0	29,0	25	o. r.	o. r.	o. r.
96212	5352	1/2"	1/2"	21,1	14,0	35,0	25	o. r.	o. r.	o. r.
96213	5353	3/4"	3/4"	26,4	14,0	42,0	10	o. r.	o. r.	o. r.
97671	5354	1"	1"	33,1	19,0	48,0	5	o. r.	o. r.	o. r.
98291	5355	1 1/4"	1 1/4"	41,8	21,0	58,0	5	o. r.	o. r.	o. r.
96214	5356	1 1/2"	1 1/2"	47,8	21,0	69,0	5	o. r.	o. r.	o. r.
96215	5357	2"	2"	59,9	22,0	83,0	2	o. r.	o. r.	o. r.

Dimensions and specifications may be changed without prior notice.

o. r. = on request

LT-CNP Conduit gland

For Anaconda Sealtite® CNP



Conduit gland LT-CNP straight

LIQUIDTIGHT gland made of galvanized steel for plastic-coated metallic protection tubes CNP.

Application

- Plant and machine construction
- Robotics
- Automation technology
- Vehicle construction and shipbuilding
- Railway technology
- Installation technology
- Control cabinet construction

Material

Galvanized steel

Note

UL/CSA approval
The ferrule and insert are from PA 6

Technical data

Protection class: IP 67

Temperature range: -45°C up to +105°C

NPT thread

Part no.	Type	Size NPT	Suitable for tube ND	Suitable for tube outer Ø mm	Thread length mm	Spanner size mm	Unit	Net EUR/ 100 items at a purchase of		
								up to 100	101 - 500	501 - 1000
904907	-	1/2"	3/8	19,4	15,0	27,0	25	o. r.	o. r.	o. r.
904908	-	1/2"	1/2	23,4	15,0	32,0	25	o. r.	o. r.	o. r.
904909	-	3/4"	3/4	29,5	15,0	39,0	25	o. r.	o. r.	o. r.
904910	-	1"	1	36,3	18,0	45,0	5	o. r.	o. r.	o. r.
904911	-	1 1/4"	1 1/4	46,0	19,0	59,0	5	o. r.	o. r.	o. r.
904912	-	1 1/2"	1 1/2	52,4	19,0	67,0	2	o. r.	o. r.	o. r.
904913	-	2"	2	66,6	19,0	82,0	1	o. r.	o. r.	o. r.

Dimensions and specifications may be changed without prior notice.

o. r. = on request

LT-CNP-E Conduit gland, stainless steel

For Anaconda Sealrite® CNP



Conduit gland LT-CNP-E straight

LIQUIDTIGHT gland made of stainless steel for plastic-coated metallic protection tubes CNP.

Application

- Plant and machine construction
- Robotics
- Automation technology
- Vehicle construction and shipbuilding
- Railway technology
- Installation technology
- Control cabinet construction

Material

Stainless steel

Note

The ferrule and insert are from PA6.

Technical data

Protection class: IP 67

Temperature range: -45°C up to +105°C

Metric thread

Part no.	Type	Size Metric	Suitable for tube ND	Suitable for tube outer Ø mm	Thread length mm	Spanner size mm	Unit	Net EUR/100 items at a purchase of		
								up to 100	101 - 500	501 - 1000
905913	-	M16 x 1,5	3/8	19,4	13,0	30,0	50	o. r.	o. r.	o. r.
905914	-	M20 x 1,5	1/2	23,4	13,0	36,0	50	o. r.	o. r.	o. r.
905058	-	M25 x 1,5	3/4	29,5	15,0	41,0	25	o. r.	o. r.	o. r.
905059	-	M32 x 1,5	1	36,3	15,0	50,0	10	o. r.	o. r.	o. r.
905060	-	M40 x 1,5	1 1/4	46,0	16,0	60,0	5	o. r.	o. r.	o. r.
905061	-	M50 x 1,5	1 1/2	52,4	19,0	66,0	5	o. r.	o. r.	o. r.
905062	-	M63 x 1,5	1 1/2	52,4	19,0	81,0	4	o. r.	o. r.	o. r.
905063	-	M63 x 1,5	2	66,6	19,0	81,0	4	o. r.	o. r.	o. r.

Dimensions and specifications may be changed without prior notice.

o. r. = on request

LT-FG-Clean Conduit gland, stainless steel



LT-FG-Clean

Highest requirements to cleanliness and cleaning.

Application

- Food industry - milk and meat products
- Packaging of food machines
- Beverage industry
- Pharmaceutical industry
- Chemical industry

Material

Housing material: Stainless steel AISI 316
 Ferrule: Brass, nickel plated
 Clamping ring and insert: PA 6
 Outer seal and sealing ring: TPE according to FDA 21 CFR and NSF 51 (USA-Norm)
 Grounding sleeve: Steel

Properties

- High corrosion resistance
- The smooth surface prevents to adhere harmful micro organisms
- Easy, fast and less expensive cleaning supplies
- No threads are exposed
- High tightness
- No enter from water and dirt from outside
- High mechanical load capacity

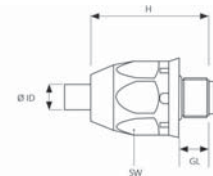
Note

Suitable protection tubes:
 Anaconda Sealtite FG-Clean, also possible EF, HTDL, OR, HC, HCX, ZHLS, HFX

Technical data

Protection class: IP67 (40bar, 80°C)

Temperature range: -45°C up to +105°C



Metric thread

Part no.	Size Metric	Suitable for tube ND	Suitable for tube outer Ø	Inner Ø	Spanner size mm	Thread length mm	Height mm	Angle size mm	Unit	Net EUR/100 items at a purchase of		
										up to 100	101 - 500	501 - 1000
906928	M16 x 1,5	3/8	17,8	10,4	27	11,5	48	31,2	50	o. r.	o. r.	o. r.
906929	M20 x 1,5	1/2	21,1	13,8	30	13,0	50	34,6	50	o. r.	o. r.	o. r.
906843	M25 x 1,5	3/4	26,4	18,5	36	15,0	57	41,6	25	o. r.	o. r.	o. r.
906844	M32 x 1,5	1	33,1	23,8	46	15,0	68	53,1	10	o. r.	o. r.	o. r.
906845	M40 x 1,5	1 1/4	41,8	31,9	54	16,0	75	62,4	5	o. r.	o. r.	o. r.
906846	M50 x 1,5	1 1/2	47,8	36,9	63	18,0	82	72,7	5	o. r.	o. r.	o. r.

Dimensions and specifications may be changed without prior notice.

o. r. = on request

EES Inner sleeve

Galvanized steel



EES

Inner sleeve EES made of galvanized steel for plastic-coated metal protection tubes type Anaconda.

Material

Galvanized steel

Note

Suitable to LT glands

Technical data

Well-fitting to protection tubes: Anaconda

EES – Galvanized steel

Part no. Anaconda	Suitable for tube outer Ø mm	Unit	Net EUR/100 items at a purchase of		
			up to 100	101 - 500	501 - 1000
96839	17,8	250	o. r.	o. r.	o. r.
97480	21,1	250	o. r.	o. r.	o. r.
96580	26,4	100	o. r.	o. r.	o. r.
96803	33,1	50	o. r.	o. r.	o. r.
96880	41,8	25	o. r.	o. r.	o. r.
98364	47,8	25	o. r.	o. r.	o. r.
905027	59,9	25	o. r.	o. r.	o. r.
905028	72,6	25	o. r.	o. r.	o. r.
905029	88,4	25	o. r.	o. r.	o. r.
905030	113,8	25	o. r.	o. r.	o. r.

Dimensions and specifications may be changed without prior notice.

o. r. = on request

По вопросам продаж и поддержки обращайтесь:

Алматы (7273)495-231	Казань (843)206-01-48	Новокузнецк (3843)20-46-81	Смоленск (4812)29-41-54
Архангельск (8182)63-90-72	Калининград (4012)72-03-81	Новосибирск (383)227-86-73	Сочи (862)225-72-31
Астрахань (8512)99-46-04	Калуга (4842)92-23-67	Омск (3812)21-46-40	Ставрополь (8652)20-65-13
Барнаул (3852)73-04-60	Кемерово (3842)65-04-62	Орел (4862)44-53-42	Сургут (3462)77-98-35
Белгород (4722)40-23-64	Киров (8332)68-02-04	Оренбург (3532)37-68-04	Тверь (4822)63-31-35
Брянск (4832)59-03-52	Краснодар (861)203-40-90	Пенза (8412)22-31-16	Томск (3822)98-41-53
Владивосток (423)249-28-31	Красноярск (391)204-63-61	Пермь (342)205-81-47	Тула (4872)74-02-29
Волгоград (844)278-03-48	Курск (4712)77-13-04	Ростов-на-Дону (863)308-18-15	Тюмень (3452)66-21-18
Вологда (8172)26-41-59	Липецк (4742)52-20-81	Рязань (4912)46-61-64	Ульяновск (8422)24-23-59
Воронеж (473)204-51-73	Магнитогорск (3519)55-03-13	Самара (846)206-03-16	Уфа (347)229-48-12
Екатеринбург (343)384-55-89	Москва (495)268-04-70	Санкт-Петербург (812)309-46-40	Хабаровск (4212)92-98-04
Иваново (4932)77-34-06	Мурманск (8152)59-64-93	Саратов (845)249-38-78	Челябинск (351)202-03-61
Ижевск (3412)26-03-58	Набережные Челны (8552)20-53-41	Севастополь (8692)22-31-93	Череповец (8202)49-02-64
Иркутск (395)279-98-46	Нижний Новгород (831)429-08-12	Симферополь (3652)67-13-56	Ярославль (4852)69-52-93
Россия (495)268-04-70	Киргизия (996)312-96-26-47	Казахстан (7172)727-132	